

3M

9100 FX

3M Occupational Health and Environmental Safety Division

3M Center, Building 0235-02-W-70
St. Paul, MN 55144-1000
Printed in USA

© 3M 2011. All rights reserved.

3M and Speedglas are trademarks of 3M Company, used under license in Canada
Kevlar is a trademark of E.I. du Pont de Nemours and Company.

3M Occupational Health and Environmental Safety Division 3M Canada Company

P.O. Box 5757 London, Ontario N6A 4T1
Printed in USA

© 3M 2011. All rights reserved.

3M and Speedglas are trademarks of 3M Company, used under license in Canada
Kevlar is a trademark of E.I. du Pont de Nemours and Company.

Division des produits d'hygiène industrielle et de sécurité environnementale de 3M Compagnie 3M Canada

C.P. 5757
London (Ontario) N6A 4T1
Imprimé au Canada.

© 3M, 2011. Tous droits réservés.

3M et Speedglas sont des marques de commerce de 3M, utilisées sous licence au Canada.
Kevlar est une marque déposée d'E.I. duPont de Nemours and Company.

3M México S.A. de C.V.

Av. Santa Fe No. 190
Col. Santa Fe, Del. Álvaro Obregón
México D.F. 01210
Impreso en EUA.

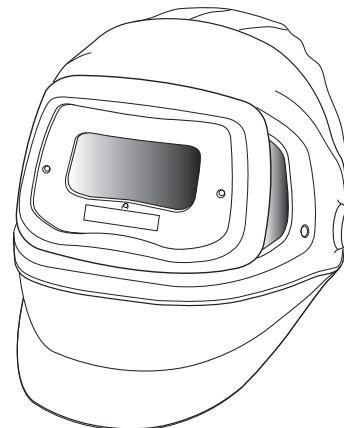
© 3M 2011. Todos los derechos reservados.

3M y Speedglas son marcas comerciales de 3M Company, usadas bajo licencia en Canadá.
Kevlar es una marca comercial de E.I. du Pont de Nemours and Company.

98-0060-0194-9/1
34-8706-8887-5

Welding Helmet User Instructions

Directives d'utilisation pour le masque pour soudeurs
Instrucciones de la Careta para soldadura



IMPORTANT: Before use, the wearer must read and understand these *User Instructions*. Keep these *User Instructions* for reference.

IMPORTANT : Avant de se servir du produit, l'utilisateur doit lire et comprendre les présentes *directives d'utilisation*. Conserver ces *directives d'utilisation* à titre de référence.

IMPORTANTE: Antes de usar el producto, el usuario debe leer y entender estas *Instrucciones*. Conserve estas *Instrucciones* para referencia futura.

 **Speedglas™**

Table of Contents

System Description	1
Warnings and Cautions	1
Limitations of Use	2
Specifications	2
Operating Instructions.....	4
Helmet Adjustment	4
ADF Function.....	9
System Components and Replacement Parts	13
System Inspection and Maintenance	16
Cleaning and Storage.....	23
Disposal.....	23
Warranty.....	23
For More Information	23

SYSTEM DESCRIPTION

These *User Instructions* are applicable to the 3M™ Speedglas™ Welding Helmet, 9100 FX. The 3M Speedglas Welding Helmet, 9100 FX with auto-darkening filter (ADF), is designed to help protect the wearer's eyes from harmful radiation including visible light, ultra-violet radiation (UV) and infrared radiation (IR) resulting from certain arc, plasma and gas welding/cutting processes when used in accordance with these *User Instructions*. Three sensors on the front of the auto-darkening filters (ADFs) react independently at the moment the welding arc is struck and cause the filter to darken. The ADF switches back to the light shade after the welding arc has stopped. Two lithium batteries are used as the power source. Protection from ultra-violet radiation (UV) and infrared radiation (IR) is continuous, whether the ADF is in the light or the dark state due to the protective purple lens coating known as a bandpass filter. In the event of battery or electronic failure, the welder remains protected against UV and IR radiation equivalent to the darkest shade setting (shade 13).

These welding helmets offer a clear wideview polycarbonate lens that is ideal for precision weld preparation under a variety of lighting conditions. The clear lens meets ANSI Z87.1-2010 and CSA Z94.3 requirements for high impact eye and face protection and provides limited protection against certain flying particles. To use the clear lens, the user simply lifts up the spring-mounted welding shield, which holds the auto-darkening welding filter (ADF) securely in a raised position for weld preparation. The spring-mounted welding shield must be returned to the down position prior to welding.

LISTING OF WARNINGS WITHIN THESE USER INSTRUCTIONS

WARNING

- Do not use any welding product without appropriate training. For proper use, see supervisor or *User Instructions* or call 3M in U.S.A. 1-800-243-4630. In Canada, call Technical Service at 1-800-267-4414.
- The 3M Speedglas Welding Helmet, 9100 FX has passed the requirements of the ANSI Z87.1-2010 and CSA Z94.3 for ignition resistance. However, under certain circumstances, these products may support a flame. Users must evaluate hazards in the workplace and take appropriate precautions for those hazards. 3M does not recommend the use of these products in areas where contact with an open flame is possible. **Improper use may result in injury or death.**
- Always wear ANSI Z87.1 compliant safety spectacles in addition to any welding headgear. **Failure to do so may result in permanent eye injury and vision loss.** In Canada, users should follow CSA Z94.3 and/or the eyewear requirements of the authority having jurisdiction in their region.
- Never modify or alter this welding helmet. Repair or replace parts only with approved 3M components. Utilizing components other than those supplied by 3M may adversely affect the performance of the welding helmet and **may result in serious injury or death.**
- This headgear must not be painted or cleaned with solvents. Any decals applied to the headgear must be compatible with the surface material and known not to affect adversely the characteristics of the materials used in the headgear. Decals may affect the flammability characteristics of this headgear.
- Any headgear subjected to severe impact should be replaced.
- The SideWindows should be covered with the cover plates in situations when other welders are working beside you and in situations where reflected light can pass through the SideWindows.

WARNING

- Should the 3M™ Speedglas™ Auto Darkening Filter (ADF) fail to switch to dark mode upon striking an arc, stop welding immediately and inspect the ADF as described in these *User Instructions*. Continued use of an ADF that fails to switch to the dark state **may result in permanent eye injury and vision loss**. If the problem cannot be identified and corrected, do not use the ADF; contact your supervisor, distributor or 3M for assistance.
- Carefully inspect the complete 3M Speedglas 9100 Welding Filter before each use. Cracked, pitted or scratched filter glass or protection plates reduce vision and can seriously impair protection. All damaged components should be replaced immediately. Remove any protective film from the visor.
- The 3M Speedglas Welding Helmet, 9100 FX is not designed for heavy duty overhead welding/cutting operations due to the risk of burns from falling molten metal. Use of this product for these applications **may result in serious injury or death.**
- The 3M Speedglas Welding Helmet, 9100 FX (used with 3M Speedglas Series 9100 ADFs) are not suitable for laser welding or welding processes that require shade 14 or higher filters. Use of this product for these applications **may result in permanent eye injury and vision loss.**
- Only operate the ADF at temperatures between 23°F (-5°C) and 131°F (+55°C). If used outside of this range, the filter may not perform as designed and **may result in permanent eye injury and vision loss.**

CAUTION:

Dispose of equipment that has reached its intended service life in accordance with local regulations.

LIMITATIONS OF USE

Important Use Limitations:

- These products do not provide any protection from respiratory hazards that may result from welding processes or from other sources. 3M Speedglas Helmet 9100 FX Series may be worn in conjunction with certain respirator models. For more information about respiratory protection for welders, contact 3M Technical Service at 1-800-243-4630. In Canada, call Technical Service at 1-800-267-4414.

Note: The 3M Speedglas Welding Helmet, 9100 FX contains no component made from natural rubber latex.

SPECIFICATIONS

Eye and face protection

Meets ANSI Z87.1-2010, high impact requirements and CSA Z94.3

Head top impact

None- does not offer head top impact protection

Operating Temperatures

23°F to 131°F (-5°C to 55°C)

Table 1. Specifications for 3M™ Speedglas™ Welding Helmets			
Technical Data	9100 FX-V Welding Helmet	9100 FX-X Welding Helmet	9100 FX-XX Welding Helmet
Viewing Area	1.8 x 3.7 in (45 x 93 mm)	2.1 x 4.2 in (54 x 107 mm)	2.8 x 4.2 in (72 x 107 mm)
Battery Life (2 x CR-2032) (min.)	2,800 hours	2,500 hours	2,000 hours
Solar Assist	Yes	Yes	No
9100 FX Weight Comp. Assy w/ SideWindows (approx.)	19.1oz (550g)	19.8 oz (560g)	20.6 oz (585g)
Dark Shades	Shades 5, 8, 9, 10, 11, 12, 13		
Light State	Shade 3		
Switching Speed	< 0.1 ms (+23°C)		
Special Modes	Grind, Tack, Lock-in		
Sensitivity Modes	5 levels		
TIG Rating	> 1 Amp		
Number of Sensors	3 (2 eye-level, 1 center)		
Delay (Recovery)	Adjustable 40 - 1300 ms		
Temperature Range	23°F to 131°F (-5°C to 55°C)		
Standards Compliance	ANSI Z87.1-2010 & CSA Z94.3-2007		
Warranty	2 Years		
Head sizes	6 ¼ to 8 inch (50-64 cm)		
Shield	PPA		
Silver Front and ADF Housing	Nylon		
Headband	Nylon, PP, PE, TPE		
SideWindows	Polycarbonate		
Protection Plates	Polycarbonate		
Flame Resistant Fabric	75% Cotton, 25% Kevlar® synthetic fiber		

OPERATING INSTRUCTIONS

WARNING

The 3M™ Speedglas™ Welding Helmet, 9100 FX has passed the requirements of the ANSI Z87.1-2010 and CSA Z94.3 for ignition resistance. However, under certain circumstances, these products may support a flame. Users must evaluate hazards in the workplace and take appropriate precautions for those hazards. 3M does not recommend the use of these products in areas where contact with an open flame is possible.

Improper use may result in injury or death.

The SideWindows should be covered with the cover plates in situations when other welders are working beside you and in situations where reflected light can pass through the SideWindows.

The 3M Speedglas Welding Helmet, 9100 FX is not designed for heavy duty overhead welding/cutting operations due to the risk of burns from falling molten metal. Use of this product for these applications **may result in serious injury or death.**

Always wear ANSI Z87.1 compliant safety spectacles in addition to any welding headgear. **Failure to do so may result in permanent eye injury and vision loss.** In Canada, users should follow CSA Z94.3 and/or the eyewear requirements of the authority having jurisdiction in their region.

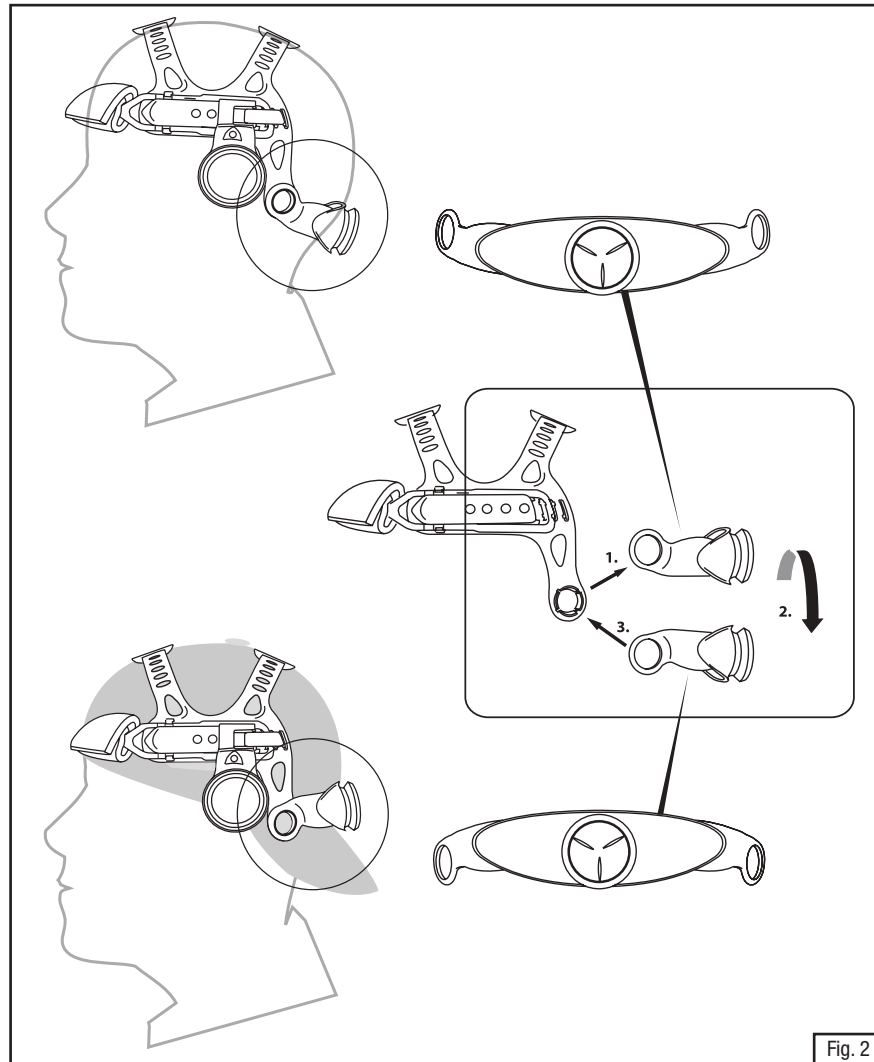
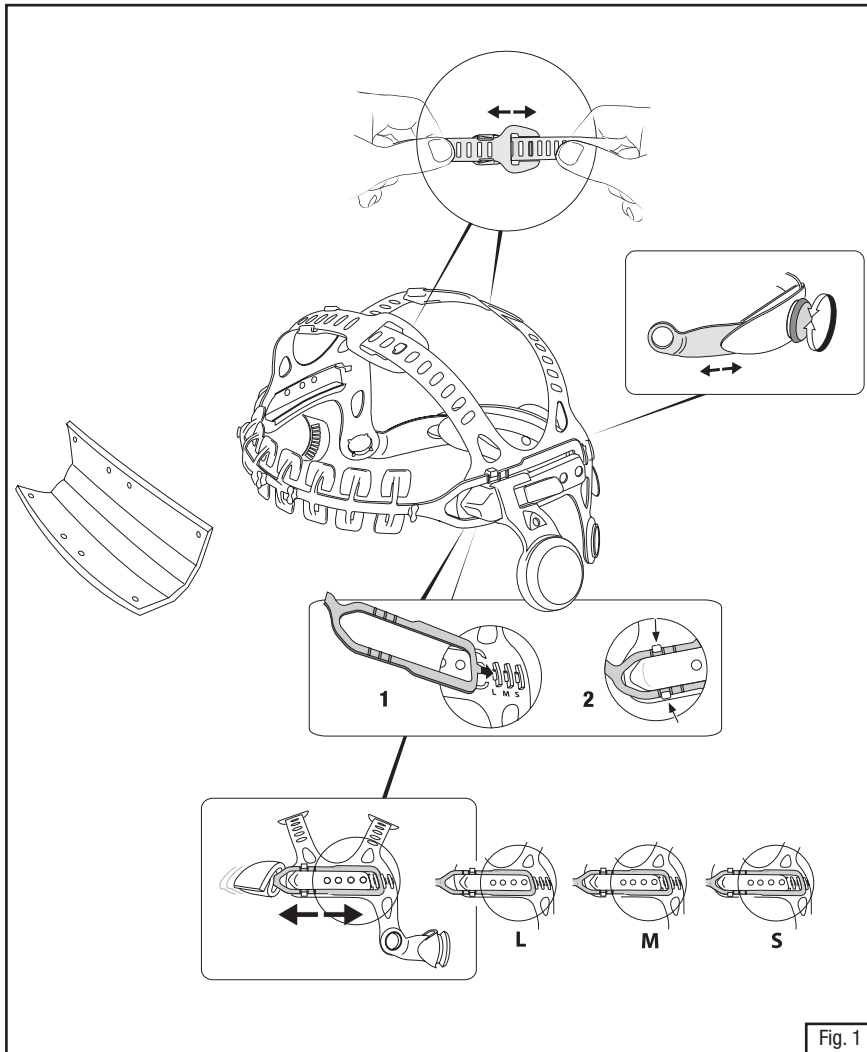
Unpacking

Inspect the package contents for shipping damage and ensure all components are present. The product should be inspected before each use following the procedures in the *Inspection* section of these *User Instructions*.

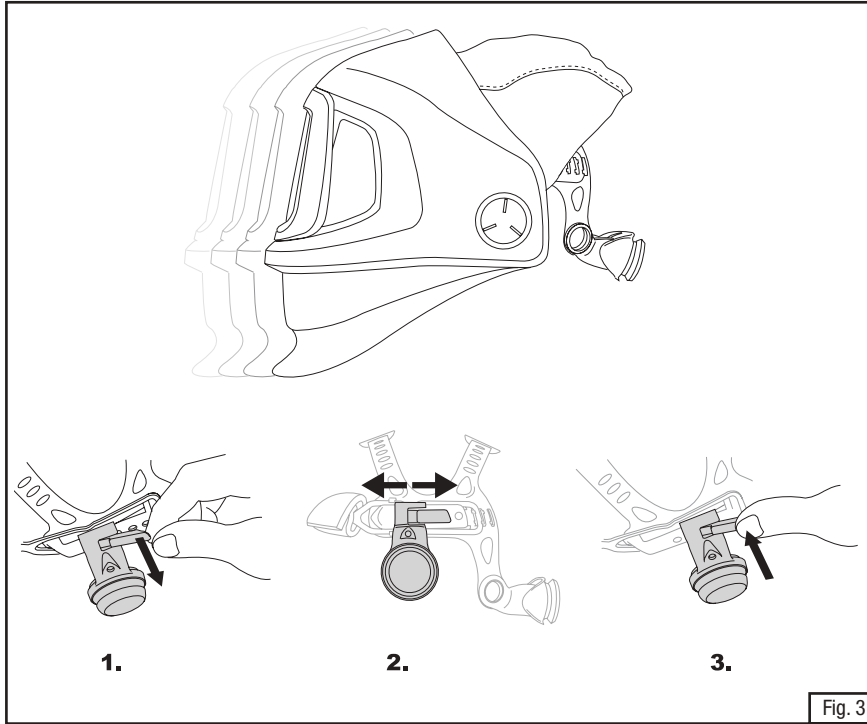
Helmet Adjustment

Note: The following adjustments should be made to help ensure that the 3M Speedglas Welding Helmet, 9100 FX is properly adjusted and fitted prior to use.

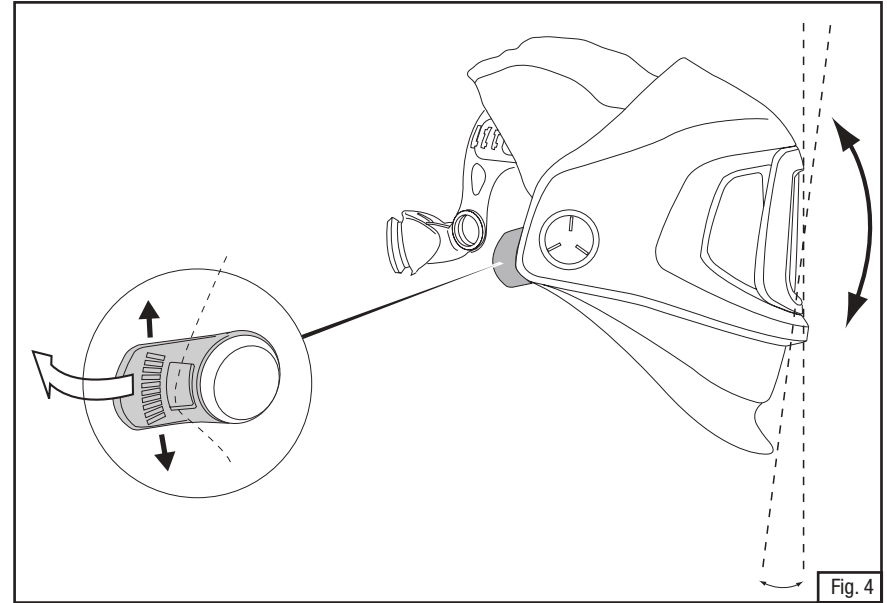
- 1) Place the 3M Speedglas Welding Helmet, 9100 FX on the head and tighten the ratchet on the back of the headgear (Fig.1) until a comfortable, but secure fit is achieved. If a comfortable fit can not be achieved using the ratchet alone, use the coarse adjustment of the front headband where the L, M, and S adjustment are as shown in the bottom of Fig. 1. L refers to a larger head circumference, M is for a medium head circumference and S is for a smaller head circumference. Adjust the coarse adjustment based on head circumference, and then replace the helmet on the head and tighten the ratchet to achieve a comfortable but secure fit. For additional adjustment, the ratchet may also be turned 180 degrees to achieve a slightly different fit based on position as shown in Fig. 2.
- 2) The two top, crown straps should be adjusted to assure that the weight of the helmet is distributed and carried evenly on the top of the head. With the helmet on, and the ratchet tightened, check to make sure that both crown straps are adjusted so that there is no excess space or gaps between the top of the head, and the crown straps. At times, the back crown strap may be too large and cause a gap, but this is not an appropriate manner for wearing the helmet. If there is an excessive gap, adjust the crown straps by sliding and tightening as shown in Fig. 1. If there is no gap, but the helmet feels as though it is too high on the head, loosen the crown straps until a comfortable height is achieved.



- 3) Next, the front-to-back, or fore/aft position of the helmet, should be adjusted so that the helmet is a comfortable distance from your face, but not touching your nose or face. The front-to-back adjustment can be achieved by moving the slide adjustments in the headgear which also moves the helmet back and forth as shown in Fig. 3. It is a good idea to make sure that the settings on both sides of the slide adjustment are at the same position to help with balance and overall comfort.



- 4) With the helmet on the head, adjust the vertical viewing angle as shown in Fig. 4 to optimize the viewing area and position of the helmet relative to the workplace application.



ADF Function

WARNING

Should the 3M™ Speedglas™ Auto Darkening Filter (ADF) fail to switch to dark mode upon striking an arc, stop welding immediately and inspect the ADF as described in these *User Instructions*. Continued use of an ADF that fails to switch to the dark state may **result in permanent eye injury and vision loss**. If the problem cannot be identified and corrected, do not use the ADF; contact your supervisor, distributor or 3M for assistance.

The 3M Speedglas Welding Helmet, 9100 FX (used with 3M Speedglas Series 9100 ADF) is not suitable for laser welding or welding processes that require shade 14 or higher filters. Use of this product for these applications **may result in permanent eye injury and vision loss**.

Only operate the ADF at temperatures between 23°F (-5°C) and 131°F (+55°C). If used outside of this range, the filter may not perform as designed and **may result in permanent eye injury and vision loss**.

On/Off

To activate the ADF, press the SHADE/ON button. The ADF automatically turns OFF after 1 hour of inactivity. The ADF has three photo sensors that react independently and cause the filter to darken when a welding arc is struck. The ADF may not turn dark if the sensors are blocked or the welding arc is totally shielded. Flashing light sources (e.g. safety strobe lights) can trigger the ADF making it flash when no welding is occurring. This interference can occur from long distances and/or from reflected light. Welding areas must be shielded from such interference.



Shade

Seven different shade settings are available, split into two groups, 5, 8 and 9-13. In order to see the current shade setting, momentarily press the SHADE/ON button. To change shade, press the SHADE/ON button repeatedly. Move the flashing LED to the desired shade. To shift between the two shade groups (shade 5, 8) and (shade 9-13); hold the SHADE/ON button down for 2 seconds. In all welding processes the arc should only be viewed with the recommended dark shade (Table 2).



Sensitivity Selection

The programming and sensitivity of the photo detector system can be adjusted to accommodate a variety of welding processes and workplace conditions. To change the sensitivity setting, press the SENS button repeatedly until the LED shows the desired setting.

Position 	Light-State Lock (Grinding Mode) – switching function is disabled, remains in constant shade 3.
Position 1	Least sensitive setting. Used if there is interference from other welders' arcs in the vicinity.
Position 2	Default setting. Used for most types of welding, indoors and outdoors.
Position 3	For welding with stable welding arcs (e.g., TIG welding).
Position 4	For low current TIG welding or inverter-type welding machines.
Position 5	For TIG welding where part of the arc is obscured from view.
Position 	Dark-State Lock – switching function is disabled, remains in selected dark shade.

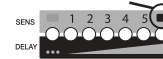


Light-State Lock

This setting is intended for grinding or other non-welding activities. When the ADF is locked in the light state (shade 3) the LED under the symbol will flash every 8 seconds to alert the user. The ADF must be changed to an appropriate SENS setting before arc welding or it will remain in the light-state lock mode. When the ADF turns off (after 1 hour inactivity), it will automatically return to the default sensitivity setting 2.

Position 1-5

If the filter does not darken during welding as desired, increase the sensitivity until the ADF switches reliably. Should the sensitivity be set too high, the filter may remain in the dark state after welding is complete due to ambient light. In this case, adjust the sensitivity downward to a setting where the ADF both darkens and lightens appropriately.

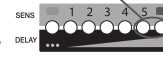


Dark-State Lock

This setting locks the ADF in the selected dark shade. If the ADF turns off (after 1 hour inactivity), it will automatically return to the default sensitivity setting 2.

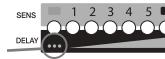
Delay

The delay function allows the user to manually increase or decrease the recovery delay time (from dark to light) according to the requirements of the welding process. The recovery time intervals are also automatically extended as the shade increases. The time intervals are listed in milliseconds in Table 3. Although the Delay and Sensitivity functions share the same LED display, they are separate adjustments.



2-Step Recovery

The two longest delay settings include an intermediate stage in the recovery. As the arc extinguishes, the filter will briefly recover to shade 5 and then to shade 3. The time intervals for each stage are listed as d1 and d2 in Table 3.



Tack Mode

This setting may help reduce eye fatigue resulting from the eye frequently adjusting to differing light levels during rapid tack welding. As the arc extinguishes, the filter will recover to shade 5. If another arc is not struck within 2 seconds the filter will return to the normal light state (shade 3).

Low Battery Indicator

The batteries should be replaced when the low battery indicator flashes or LEDs do not flash when the buttons are pressed.

Table 2. Recommended Guide for Shade Numbers (Adapted from ANSI Z49.1-2003)				
Operation	Electrode diameter inches	Arc current, amps	Minimum Protective Shade	Recommended Shade Number
Shielded metal arc	< 3	< 60	7	---
	3-5	60-160	8	10
	5-8	160-250	10	12
	> 8	250-550	11	14
Gas-metal-arc welding	< 60	< 60	7	---
	60-160	60-160	10	11
	160-250	160-250	10	12
	250-500	250-500	10	14
Gas-tungsten-arc	< 50	< 50	8	10
	50-150	50-150	8	12
	150-500	150-500	10	14
Air-carbon-arc cutting	< 500	< 500	10	12
Plasma-arc welding	< 20	< 20	6	6-8
	20-100	20-100	8	10
	100-400	100-400	10	12
	400-800	400-800	11	14
Plasma-arc cutting	< 300	< 300	8	9
	300-400	300-400	9	12
	400-800	400-800	10	14
Carbon arc welding				14

RECOVERY DELAY INTERVALS (ms)

Delay Shade	●●●			●●●●●●●●							
	d1	d1	d2	Σ	d1	d2	Σ				
5	40	40	60	90	130			200			300
8	40	40	60	100	150			250			400
9	40	40	60	100	150	200	300	500	375	625	1000
10	40	40	70	150	200	300	300	600	425	625	1050
11	50	50	80	200	300	375	325	700	475	625	1100
12	50	50	90	250	400	475	325	800	575	625	1200
13	60	60	100	300	450	525	325	850	675	625	1300

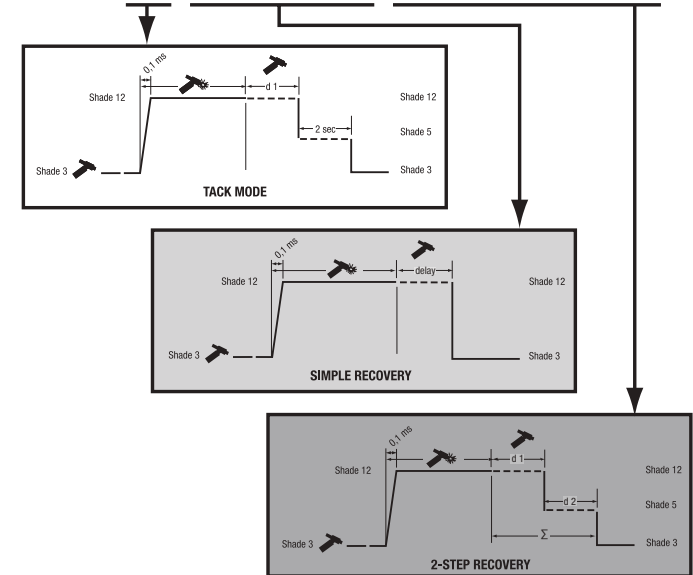
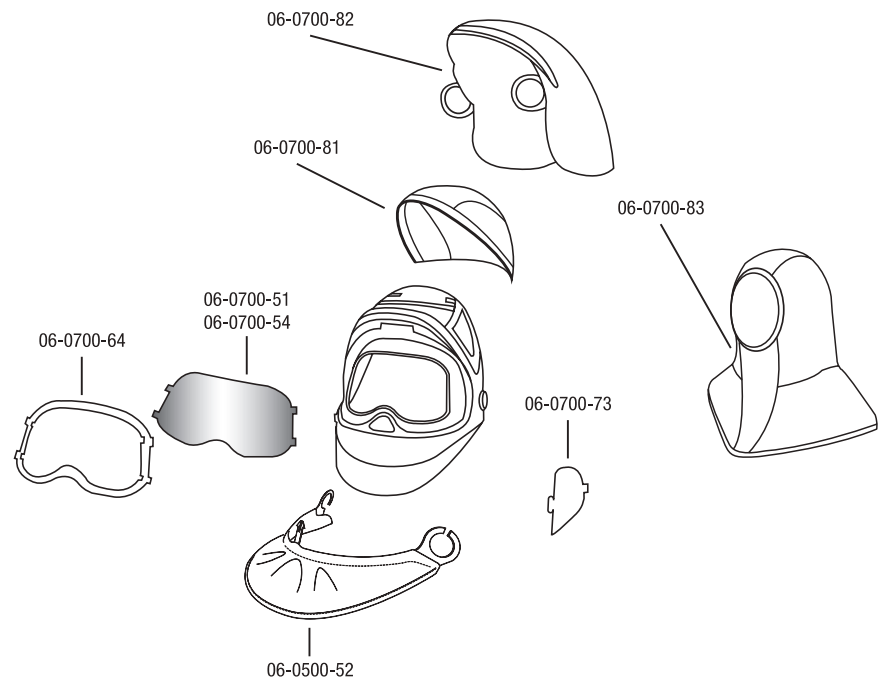
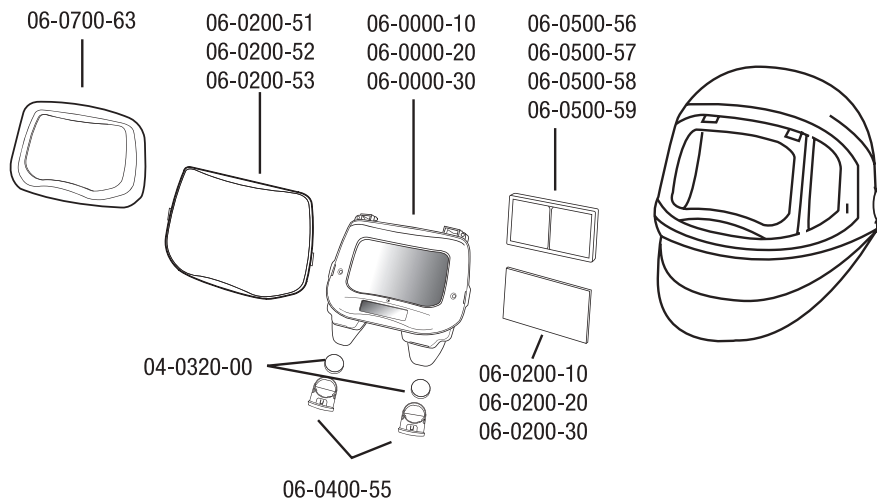
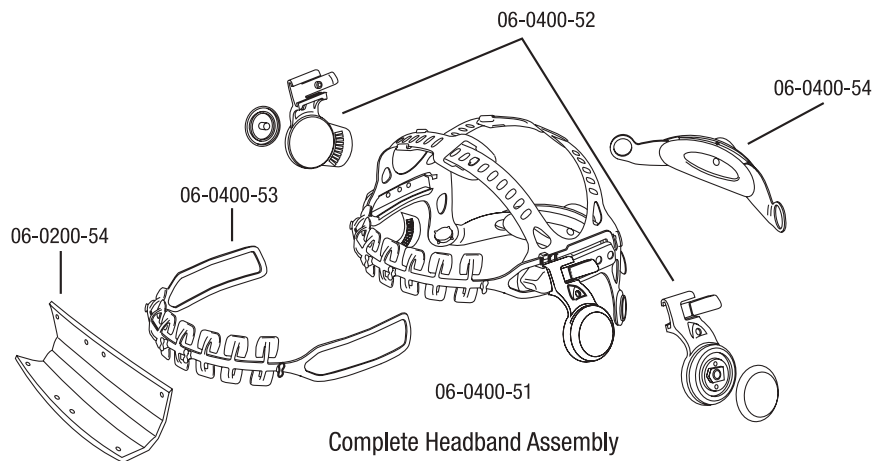


Table 3

3M™ SPEEDGLAST™ SYSTEM COMPONENTS AND REPLACEMENT PARTS



3M™ Speedglas™ Complete Helmet Assemblies

06-0600-10SW	Welding Helmet 9100 FX SideWindows with ADF 9100V
06-0600-20SW	Welding Helmet 9100 FX SideWindows with ADF 9100X
06-0600-30SW	Welding Helmet 9100 FX SideWindows with ADF 9100XX

3M™ Speedglas™ Replacement Parts and Accessories

04-0320-00	Batteries (CR-2032)
06-0000-10	ADF 9100V
06-0000-20	ADF 9100X
06-0000-30	ADF 9100XX
06-0200-10	Inside Protection Plate 9100V (5 pack)
06-0200-20	Inside Protection Plate 9100X (5 pack)
06-0200-30	Inside Protection Plate 9100XX (5 pack)
06-0201-10	Starter Kit 9100V (5 Outside & 2 Inside Protection Plates, 1 sweatband)
06-0201-20	Starter Kit 9100X (5 Outside & 2 Inside Protection Plates, 1 sweatband)
06-0201-30	Starter Kit 9100XX (5 Outside & 2 Inside Protection Plates, 1 sweatband)
06-0200-51	Outside Protection Plate 9100, Standard
06-0200-52	Outside Protection Plate 9100, Scratch Resistant
06-0200-53	Outside Protection Plate 9100, High Temperature
06-0200-54	Sweatband 9100
06-0400-51	Headband Assembly 9100 Complete (headgear)
06-0400-52	Pivot Mechanism 9100 (Left & Right)
06-0400-53	Headband 9100 Front Part
06-0400-54	Headband 9100 Back Part (ratchet adjuster)
06-0400-55	Battery Holder 9100
06-0500-51	Head Protector 9100, Tecaweld
06-0500-52	Ear and Neck Protector 9100, Tecaweld
06-0500-54	Welding Beanie Hat, (no visor)
06-0500-55	Welding Cap with Visor
06-0500-56	Magnification Plate 1.5X
06-0500-57	Magnification Plate 2.0X
06-0500-58	Magnification Plate 2.5X
06-0500-59	Magnification Plate 3.0X
06-0500-60	Cloth Storage Bag
06-0500-61	Branded Toolbox Decal

06-0700-51	Wideview Clear Grinding Visor, Standard
06-0700-54	Wideview Clear Grinding Visor, Anti-Fog
06-0700-63	Chrome Front Panel, 9100 FX
06-0700-64	Wideview Clear Grinding Visor Frame, 9100 FX
06-0700-73	SideWindow Covers, 9100 FX
06-0700-81	Standard Headcover, 9100 FX
06-0700-82	Extended Headcover (Head and Neck), 9100 FX
06-0700-83	Full Hood, Black

SYSTEM INSPECTION AND MAINTENANCE

WARNING

Never modify or alter this welding helmet. Repair or replace parts only with approved 3M components. Utilizing components other than those supplied by 3M may adversely affect the performance of the welding helmet and **may result in serious injury or death.**

This headgear must not be painted or cleaned with solvents. Any decals applied to the headgear must be compatible with the surface material and known not to affect adversely the characteristics of the materials used in the headgear. Decals may affect the flammability characteristics of this headgear.

Carefully inspect the complete 3M™ Speedglas™ Welding Filter, 9100 before each use. Cracked, pitted or scratched filter glass or protection plates reduce vision and can seriously impair protection. All damaged components should be replaced immediately. Remove any protective film from the visor.

Any headgear subjected to severe impact should be replaced.

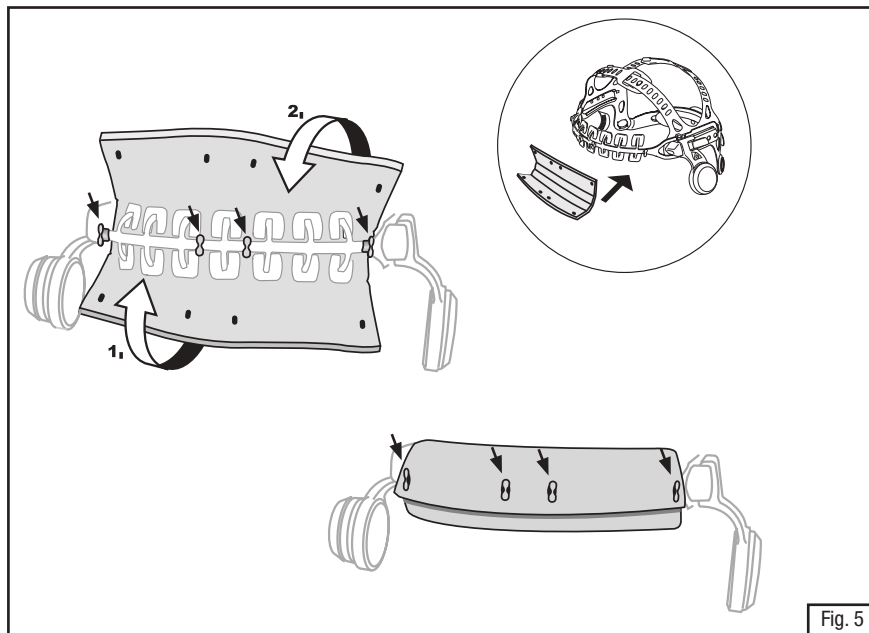
Inspect the welding helmet and headgear for any worn or damaged parts. Replace any worn or damaged parts utilizing those components listed in the replacement parts and accessories list contained in this *User Instruction*.

To check for proper ADF operation, hold the ADF within a few inches of a fluorescent light bulb and observe the ADF switch to the selected dark state. Depending on the light source, it may be necessary to temporarily increase the sensitivity setting. Optionally, the ADF can be triggered by pointing any electronic device remote control (e.g. television) at the ADF sensors and by pushing the “On” button.

Note: If the ADF does not function as described in these *User Instructions*, do not use and immediately contact your supervisor or 3M representative.

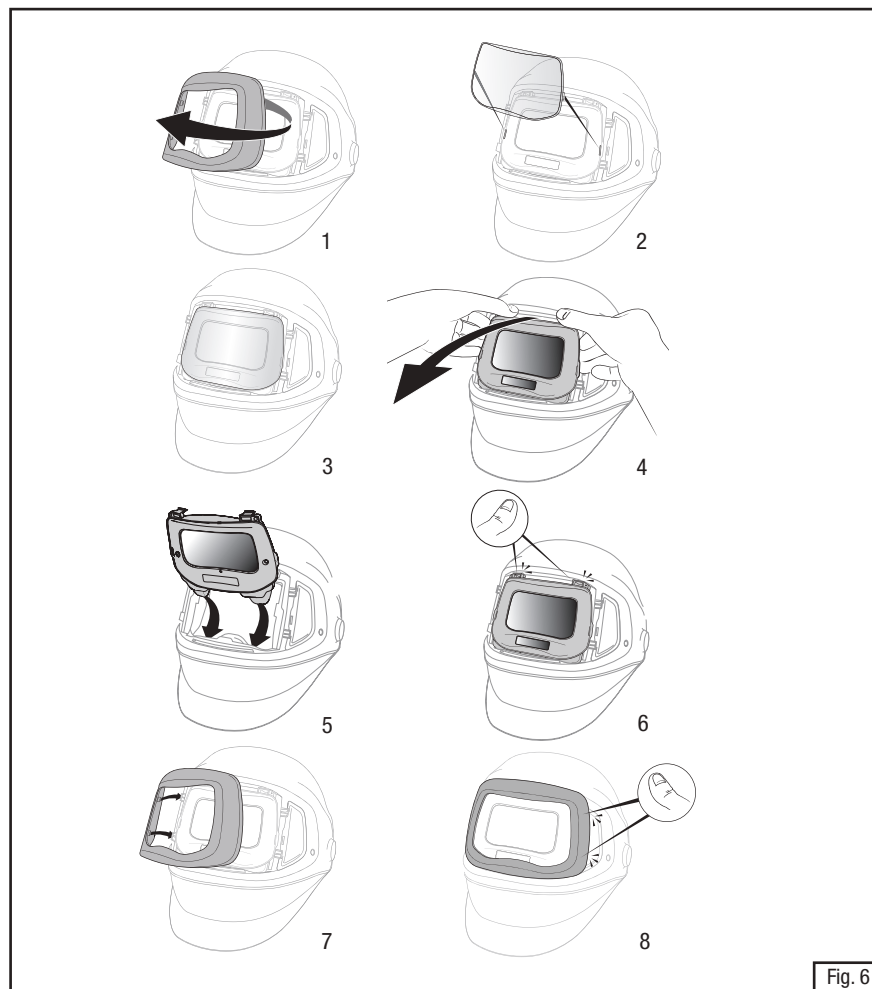
Sweatpad Replacement

See Fig. 5.



Silver Frame, Outer Protection Plate, and ADF Removal and Replacement

See Fig. 6.



Inside Protection Plate, Batteries Replacement and Magnifying Lens Installation

See Figs. 7 through 9.

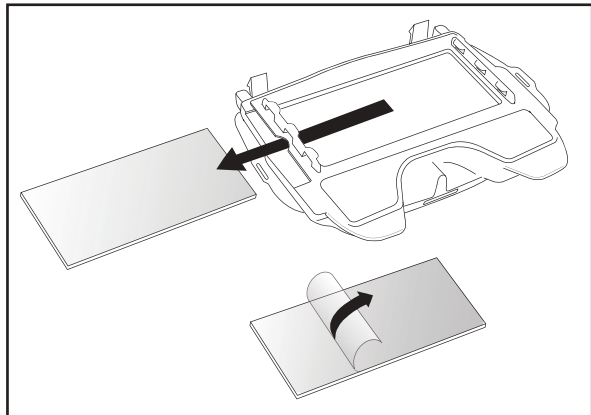


Fig. 7 Inside Protection Plate

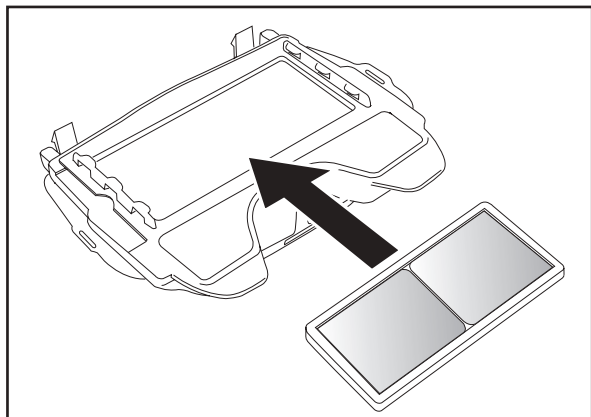
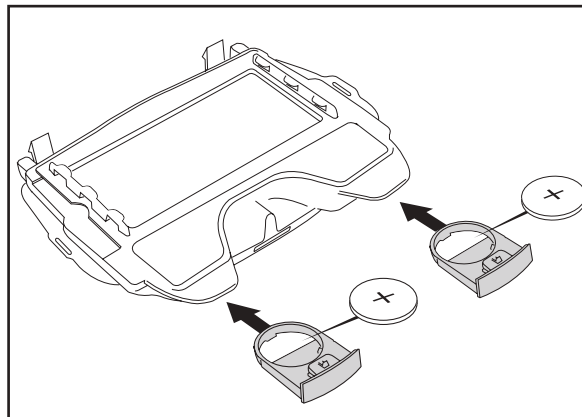


Fig. 8 Magnification Plate



**Fig. 9 Battery
Installation of SideWindow Coverplates**

See Fig. 10.

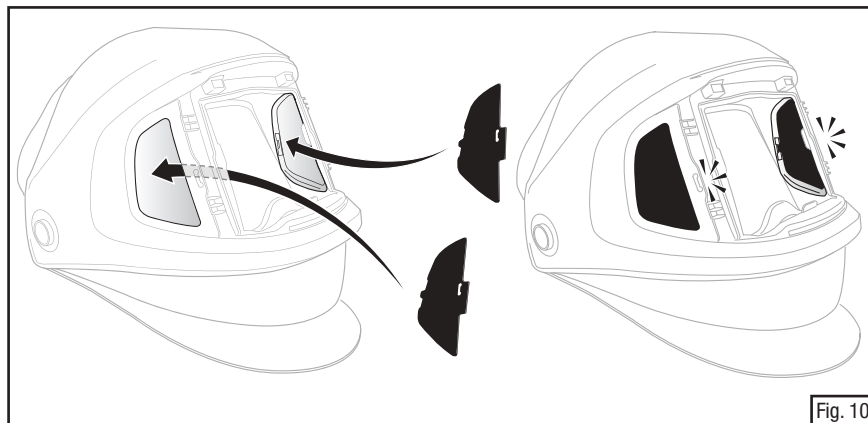
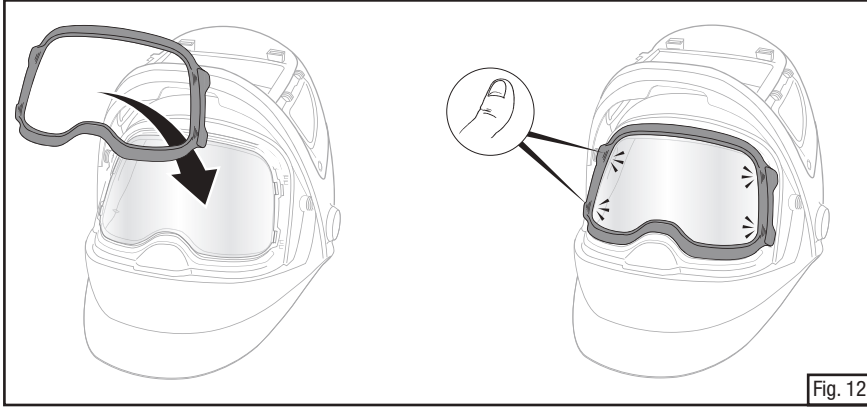
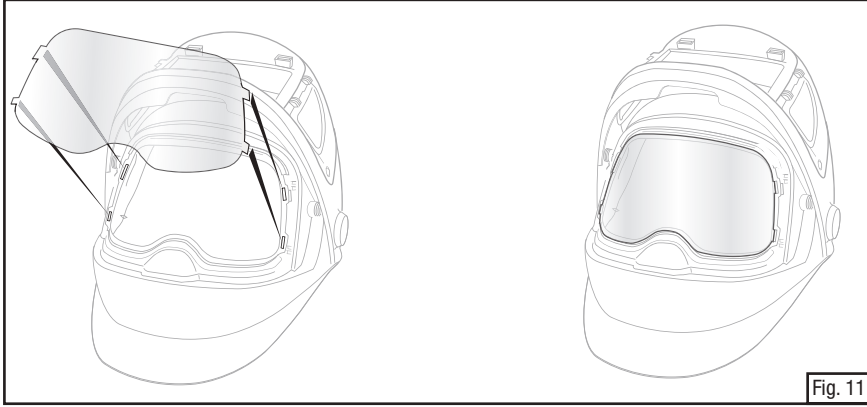


Fig. 10

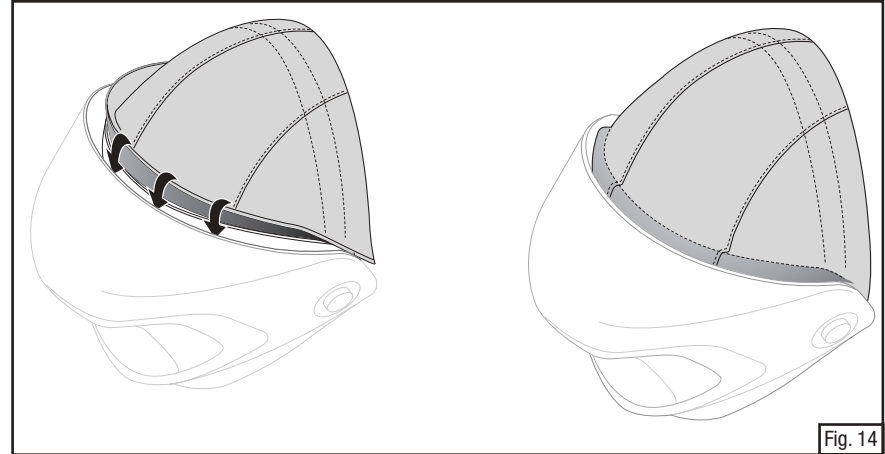
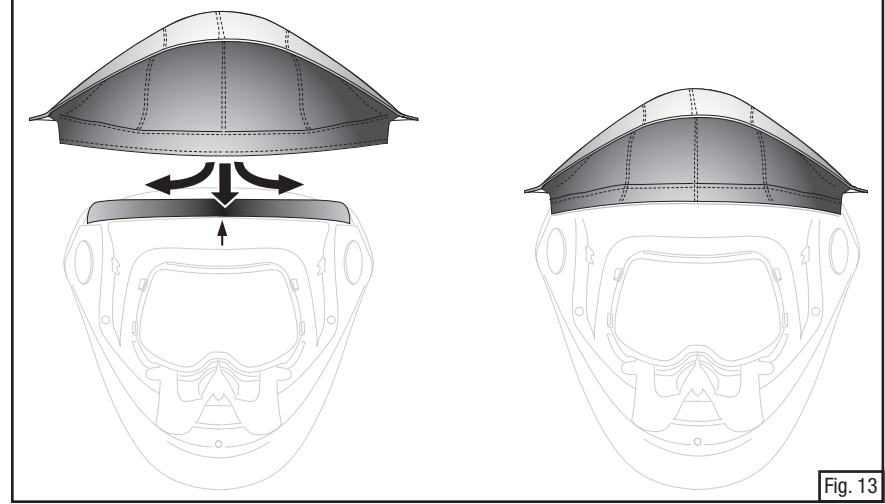
Clear Grinding Visor Replacement

Remove black grinding visor frame by gently lifting on the 4 tabs. Remove and replace the clear grinding visor and replace the black grinding visor frame (Figs. 11 & 12).



Top Extended Coverage Installation

Align hook and loop fasteners as shown (Figs. 13 & 14). If the extended coverage is the large version, secure fastening loops between the inside of the helmet and the pivot mechanism location of the headgear.



CLEANING AND STORAGE

WARNING

This headgear must not be painted or cleaned with solvents. Any decals applied to the headgear must be compatible with the surface material and known not to affect adversely the characteristics of the materials used in the headgear.

Clean the welding helmet with mild soap and lukewarm water. Do not use solvents. Clean the ADF with a clean, lint-free tissue or cloth. Do not immerse ADFs in water or spray directly with liquids. Store equipment in a clean, dry and dust-free environment at room temperature.

DISPOSAL

Dispose of equipment that has reached its intended service life in accordance with local regulations.

WARRANTY

WARRANTY: In the event any 3M OH&ESD product is found to be defective in material, workmanship, or not in conformation with any express warranty for a specific purpose, 3M's only obligation and your exclusive remedy shall be, at 3M's option, to repair, replace or refund the purchase price of such parts or products upon timely notification thereof and substantiation that the product has been stored, maintained and used in accordance with 3M's written instructions.

EXCLUSIONS TO WARRANTY: THIS WARRANTY IS EXCLUSIVE AND IS IN LIEU OF ANY EXPRESS OR IMPLIED WARRANTY OF MERCHANTABILITY, FITNESS FOR A PARTICULAR PURPOSE OR OTHER WARRANTY OF QUALITY, EXCEPT OF TITLE AND AGAINST PATENT INFRINGEMENT.

LIMITATION OF LIABILITY: Except as provided above, 3M shall not be liable or responsible for any loss or damage, whether direct, indirect, incidental, special or consequential, arising out of sale, use or misuse of 3M OH&ESD products, or the user's inability to use such products. THE REMEDIES SET FORTH HEREIN ARE EXCLUSIVE.

FOR MORE INFORMATION

In United States, contact:

Internet: www.3M.com/OccSafety

Technical Assistance: 1-800-243-4630

For other 3M products:

1-800-3M-HELPS or 1-651-737-6501

Table des matières

Description du système	25
Mises en garde et avertissements	25
Restrictions d'utilisation.....	26
Spécifications	26
Mode d'emploi.....	28
Ajustement du masque.....	28
Fonctionnement du filtre à lentille photosensible	33
Composants du système et pièces de rechange.....	37
Entretien et inspection du système	40
Nettoyage et entretien	47
Mise au rebut	47
Garantie.....	47
Pour obtenir de plus amples renseignements/For more information	47

DESCRIPTION DU SYSTÈME

Les présentes *directives d'utilisation* s'appliquent au masque pour soudeurs 9100 FX Speedglas™ 3M™. Lorsqu'on l'utilise selon les présentes *directives d'utilisation*, le masque pour soudeurs 9100 FX Speedglas 3M avec filtre à lentille photosensible vise à protéger les yeux contre les rayonnements nocifs, notamment la lumière visible, les ultraviolets et les infrarouges émis par certains procédés de soudage à l'arc, au plasma et méthodes de soudage ou de coupage au gaz. Trois capteurs situés à l'avant du filtre à lentille photosensible réagissent séparément à l'apparition de l'arc de soudage et déclenchent l'obscurcissement du filtre. Le filtre redevient pâle une fois l'arc de soudage disparu. Deux piles au lithium alimentent le filtre. La protection contre les rayons ultraviolets (UV) et infrarouges (IR) est continue, que le filtre à lentille photosensible soit pâle ou foncé, en raison du revêtement protecteur violet de la lentille appelé filtre passe-bande. En cas de défaillance des piles ou des composants électroniques, le soudeur demeure protégé contre les rayonnements UV et IR par la teinte la plus foncée (teinte 13).

Ces masques pour soudeurs sont munis d'une grande lentille en polycarbonate transparente idéale pour la préparation des soudures sous une variété d'éclairages. La lentille transparente est conforme aux normes Z87.1-2010 de l'ANSI et Z94.3 de la CSA en matière de protection des yeux et du visage contre les chocs violents et fournit une protection limitée contre la projection de certaines particules. Pour voir à travers la lentille transparente, l'utilisateur doit simplement relever l'écran pour soudeurs monté sur ressorts qui retient fermement le filtre à lentille photosensible en position relevée pendant la préparation de la soudure. Abaisser l'écran pour soudeurs monté sur ressorts avant de procéder au soudage.

MISES EN GARDE ÉNONCÉES DANS LES PRÉSENTES DIRECTIVES D'UTILISATION

⚠ MISE EN GARDE

- Ne pas utiliser de produit pour le soudage sans avoir reçu la formation nécessaire. Pour tout renseignement sur l'utilisation adéquate de ce produit, consulter son superviseur, lire les *directives d'utilisation* ou communiquer, au Canada, avec le Service technique de 3M au 1 800 267-4414.
- Le masque pour soudeurs 9100 FX Speedglas 3M respecte les exigences des normes Z87.1-2010 de l'ANSI et Z94.3 de la CSA en matière d'inflammabilité.
- Cependant, dans certains cas, ces produits peuvent continuer à brûler. L'utilisateur doit évaluer les dangers présents dans son milieu de travail et prendre les mesures nécessaires pour y faire face. 3M ne recommande pas l'utilisation de ces produits s'ils sont susceptibles d'entrer en contact avec une flamme nue. **Une mauvaise utilisation peut provoquer des blessures ou la mort.**
- Toujours porter des lunettes de protection conformes à la norme Z87.1 de l'ANSI en plus d'une pièce faciale pour soudeurs. **Tout manquement à ces directives peut provoquer des blessures oculaires permanentes et une perte de vision.** Au Canada, se conformer à la norme Z94.3 de la CSA et/ou aux exigences de l'autorité compétente de sa région en matière de lunettes de protection.
- Ne jamais modifier ce masque pour soudeurs. Réparer ou remplacer les pièces uniquement avec des composants approuvés par 3M. L'utilisation de composants autres que ceux fournis par 3M peut réduire le rendement du masque pour soudeurs et **provoquer des blessures graves ou la mort.**
- Ne pas peindre la pièce faciale ou la nettoyer à l'aide de solvants. Tout décalque appliqué sur la pièce faciale doit être compatible avec la surface et ne doit pas affecter les caractéristiques des matériaux de la pièce faciale. Les décalques peuvent modifier les caractéristiques d'inflammabilité de cette pièce faciale.
- Remplacer toute pièce faciale ayant subi un choc violent.

⚠ MISE EN GARDE

- Couvrir les lentilles latérales avec des protecteurs lorsque d'autres soudeurs travaillent à proximité et lorsque la lumière réfléchie peut passer par ces lentilles.
- Si le filtre à lentille photosensible Speedglas™ 3M™ ne s'obscurcit pas à l'apparition de l'arc de soudage, cesser immédiatement de souder et inspecter le filtre conformément aux *directives d'utilisation*. L'utilisation d'un filtre à lentille photosensible qui ne s'obscurcit pas **peut provoquer des blessures oculaires permanentes et une perte de vision.** Ne pas utiliser un tel filtre s'il est impossible de trouver la cause du problème et de le corriger; communiquer avec son superviseur, son distributeur ou avec 3M pour obtenir de l'aide.
- Inspecter soigneusement tout le filtre pour soudeurs 9100 Speedglas 3M avant chaque utilisation. Un filtre ou des plaques de protection fissurés, piqués ou égratignés peuvent réduire la visibilité et réduire considérablement la protection. Remplacer immédiatement tous les composants endommagés. Enlever la pellicule protectrice de la visière.
- Le masque pour soudeurs 9100 FX Speedglas 3M n'est pas conçu pour de gros travaux de soudage ou de coupage au-dessus de la tête en raison des risques de brûlures causés par la chute de métal en fusion. L'utilisation de ce produit à ces fins **peut provoquer des blessures graves ou la mort.**
- Le masque pour soudeurs 9100 FX Speedglas 3M (utilisé avec un filtre à lentille photosensible Speedglas™ 3M™ de série 9100) n'est pas conçu pour le soudage au laser ni pour les méthodes de soudage qui exigent une teinte 14 ou des filtres plus foncés. L'utilisation de ce produit à ces fins **peut provoquer des blessures oculaires permanentes et une perte de vision.**
- N'utiliser le filtre à lentille photosensible qu'à des températures comprises entre -5 et 55°C (23 et 131°F). À défaut de quoi, le filtre peut ne pas fonctionner comme prévu et il y a alors **risque de blessures oculaires permanentes et une perte de vision.**

⚠ AVERTISSEMENT :

Mettre au rebut le matériel qui a atteint la durée utile prévue, conformément aux règlements locaux.

RESTRICTIONS D'UTILISATION

Restrictions d'utilisation importantes

- Ces produits ne protègent pas contre les dangers respiratoires provenant de procédés de soudage ou d'autres sources. On peut porter un masque Speedglas 3M de série 9100 FX avec certains modèles de respirateurs. Pour obtenir de plus amples renseignements sur la protection respiratoire pour soudeurs, communiquer, au Canada, avec le Service technique de 3M au 1 800 267-4414.

Remarque : Le masque pour soudeurs 9100 FX Speedglas 3M ne contient aucun composant en latex de caoutchouc naturel.

SPÉCIFICATIONS

Protection oculaire et faciale

Chocs sur le dessus de la tête

Températures d'utilisation

Conforme aux normes Z87.1-2010 de l'ANSI et Z94.3 de la CSA relatives à la résistance aux chocs haute vitesse

N'offre pas de protection contre les chocs sur le dessus de la tête.

-5 à 55°C (23 à 131°F)

Tableau 1. Spécifications des masques pour soudeurs Speedglas™ 3M™			
Données techniques	Masque pour soudeurs 9100 FX-V	Masque pour soudeurs 9100 FX-X	Masque pour soudeurs 9100 FX-XX
Fenêtre	45 x 93 mm (1,8 x 3,7 po)	54 x 107 mm (2,1 x 4,2 po)	72 x 107 mm (2,8 x 4,2 po)
Durée utile des piles (2 x CR-2032) (min.)	2 800 heures	2 500 heures	2 000 heures
Panneau solaire	Oui	Oui	Non
Ensemble 9100 FX avec lentille latérales, poids comparé (approx.)	19,1 oz (550 g)	19,8 oz (560 g)	20,6 oz (585 g)
Teintes foncées	Teintes 5, 8, 9, 10, 11, 12 et 13		
Teinte pâle	Teinte 3		
Vitesse de changement de teinte	< 0,1 ms (+23°C)		
Modes spéciaux	Meulage, soudage par point et verrouillage		
Niveaux de sensibilité	5 niveaux		
Intensité TIG	> 1 A		
Nombre de capteurs	3 (2 au niveau des yeux, 1 au centre)		
Délai de retour à la teinte pâle	Réglable de 40 à 1 300 ms		
Plage de températures	-5 à 55°C (23 à 131°F)		
Conformité aux normes	Norme Z87.1-2010 de l'ANSI, norme Z94.3-2007 de la CSA		
Garantie	2 ans		
Tours de tête	50 à 64 cm (6 1/4 à 8 po)		
Écran	Polyptalamide		
Panneau avant et boîtier de filtre argentés	Nylon		
Serre-tête	Nylon, polypropylène, polyéthylène et élastomères thermoplastiques		
Lentilles latérales SideWindows	Polycarbonate		
Plaques de protection	Polycarbonate		
Tissu ignifuge	75% coton, 25% fibre synthétique Kevlar®		

MODE D'EMPLOI

MISE EN GARDE

Le masque pour soudeurs 9100 FX Speedglas™ 3M™ respecte les exigences des normes Z87.1-2010 de l'ANSI et Z94.3 de la CSA en matière d'inflammabilité. Cependant, dans certains cas, ces produits peuvent continuer à brûler. L'utilisateur doit évaluer les dangers présents dans son milieu de travail et prendre les mesures nécessaires pour y faire face. 3M ne recommande pas l'utilisation de ces produits s'ils sont susceptibles d'entrer en contact avec une flamme nue. **Une mauvaise utilisation peut provoquer des blessures ou la mort.**

Couvrir les lentilles latérales avec des panneaux lorsque d'autres soudeurs travaillent à proximité et lorsque la lumière réfléchie peut passer par ces lentilles.

Le masque pour soudeurs 9100 FX Speedglas 3M n'est pas conçu pour de gros travaux de soudage ou de coupage au-dessus de la tête en raison des risques de brûlures causés par la chute de métal en fusion. L'utilisation de ce produit à ces fins **peut provoquer des blessures graves ou la mort.**

Toujours porter des lunettes de protection conformes à la norme Z87.1 de l'ANSI en plus d'une pièce faciale pour soudeurs. **Tout manquement à ces directives peut provoquer des blessures oculaires permanentes et une perte de vision.** Au Canada, se conformer à la norme Z94.3 de la CSA et/ou aux exigences de l'autorité compétente de sa région en matière de lunettes de protection.

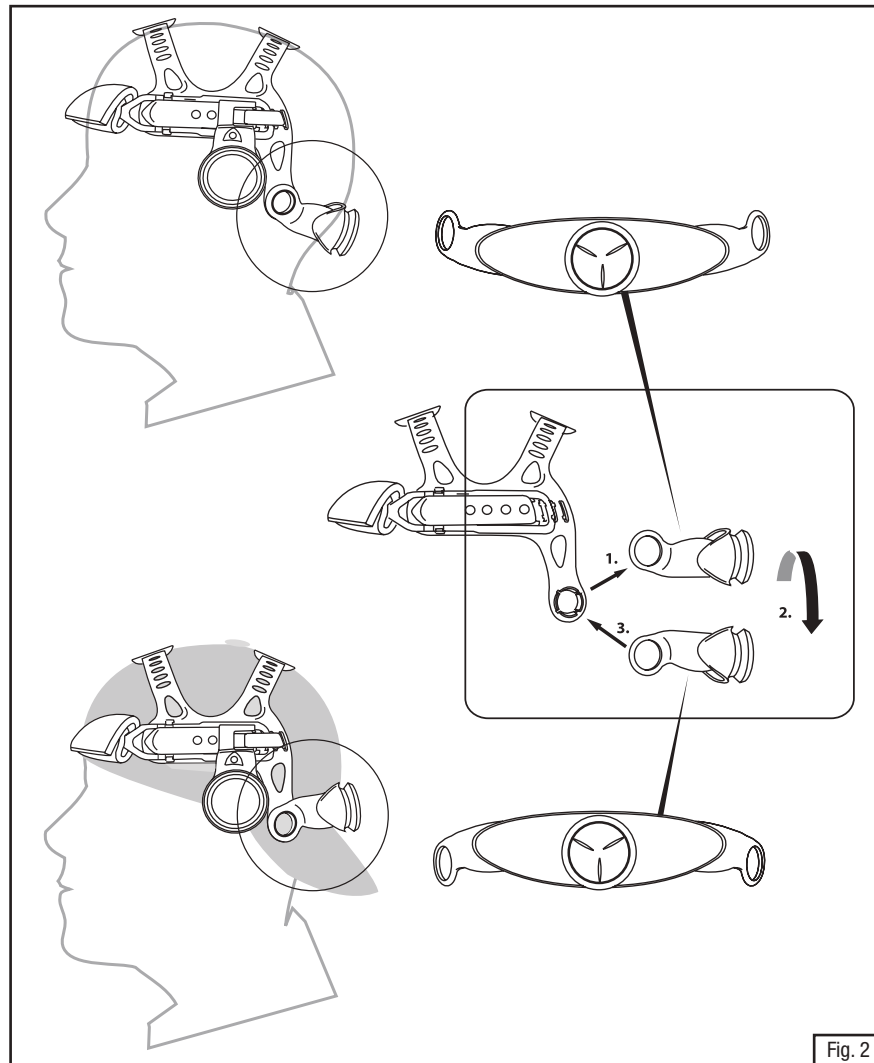
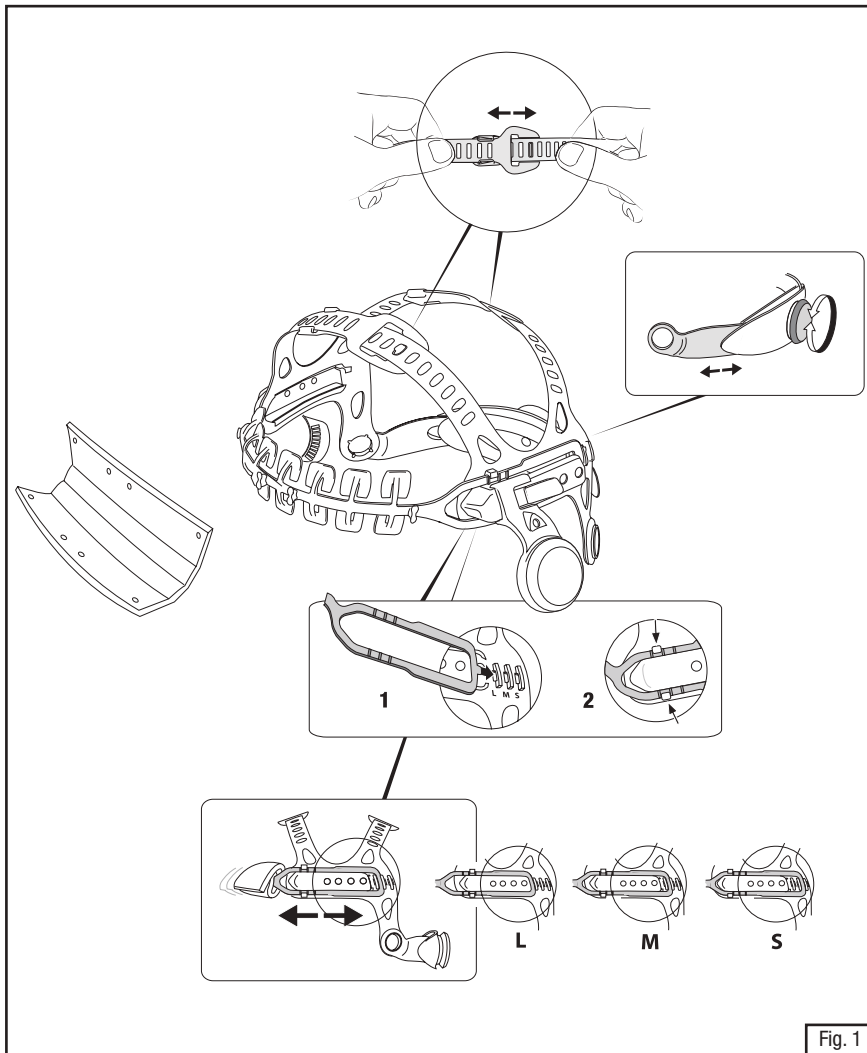
Déballage

Inspecter le contenu de l'emballage pour s'assurer qu'aucun dommage n'est survenu pendant l'expédition et qu'il ne manque aucun composant. Inspecter le produit avant chaque utilisation en suivant la procédure décrite dans la section *Inspection* des présentes *directives d'utilisation*.

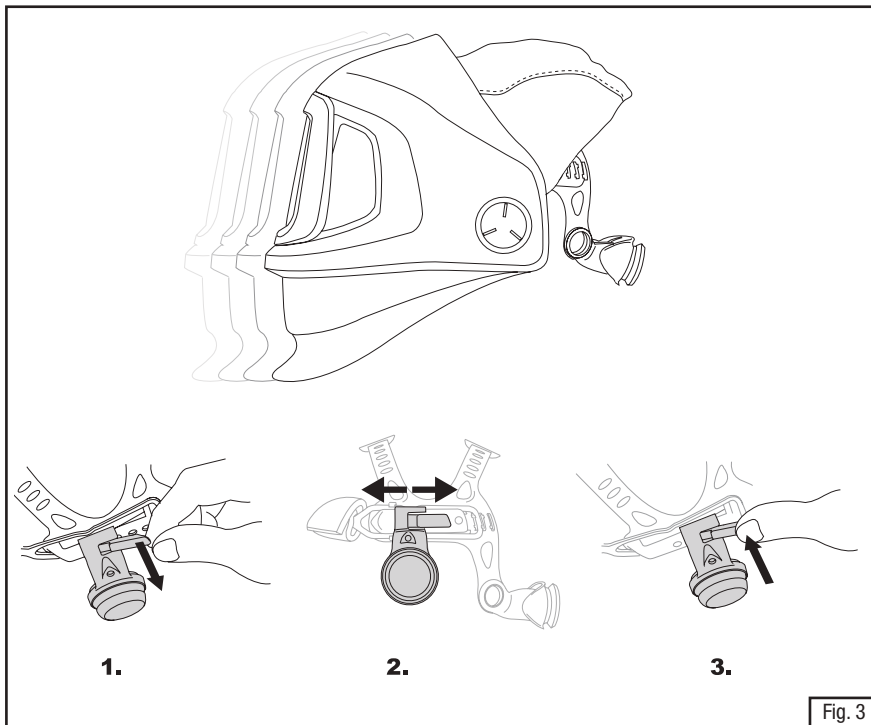
Ajustement du masque

Remarque : Effectuer les ajustements ci-dessous pour s'assurer que le masque pour soudeurs 9100 FX Speedglas 3M est bien ajusté avant de l'utiliser.

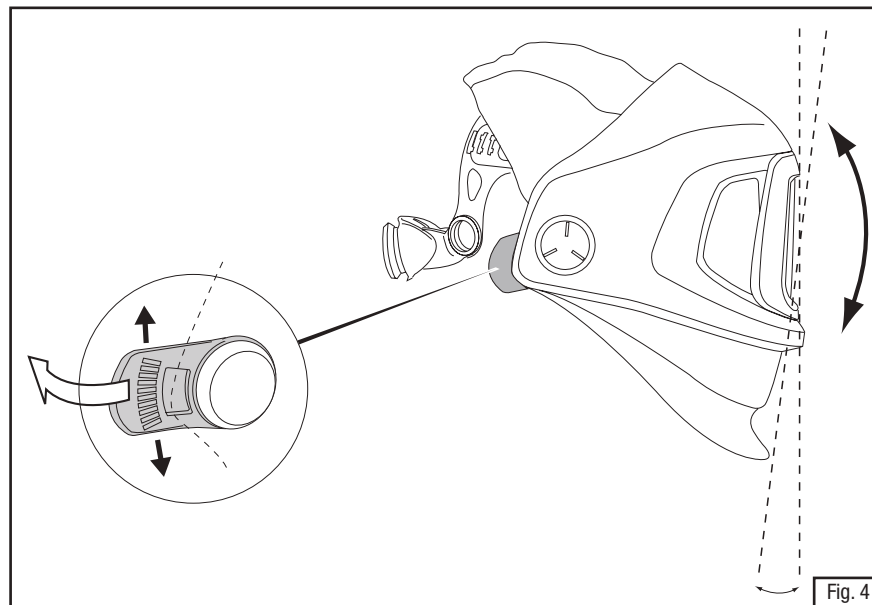
- Placer le masque pour soudeurs 9100 FX Speedglas 3M sur la tête et serrer avec le bouton à cliquet situé à l'arrière de la pièce faciale (Fig. 1) pour obtenir un ajustement confortable et sécuritaire. S'il est impossible d'obtenir un ajustement confortable uniquement avec le bouton, utiliser l'ajustement grossier L, M et S situé à l'avant du serre-tête comme l'indique le bas de la Fig. 1. L signifie un grand tour de tête; M, un tour de tête moyen et S, un petit tour de tête. Régler en fonction du tour de tête, puis remettre le masque sur la tête et serrer avec le bouton à cliquet pour obtenir un ajustement confortable et sécuritaire. Pour un réglage supplémentaire, tourner le bouton à cliquet de 180 degrés pour un ajustement légèrement différent en fonction de la position comme le montre la Fig. 2.
- Régler les deux sangles d'amortissement supérieures de manière à répartir également et à équilibrer le poids du masque sur le dessus de la tête. Avec le masque en place sur la tête et le bouton à cliquet serré, ajuster les deux sangles d'amortissement de sorte qu'il n'y ait aucun espace ou écart excessif ces dernières et le dessus de la tête. Parfois, la sangle d'amortissement arrière peut s'avérer trop grande et créer du jeu, mais ce n'est pas ainsi qu'il faut porter le masque. S'il se crée un jeu excessif, régler les sangles d'amortissement en les faisant glisser et en les serrant comme l'indique la Fig. 1. S'il n'y a pas de jeu, mais que l'on sent que le masque est trop haut sur la tête, agrandir les sangles d'amortissement pour obtenir une hauteur confortable.



- 3) Ensuite, ajuster la position avant-arrière du masque, de sorte qu'il soit à une distance confortable du visage, sans qu'il touche le nez ou le visage. On règle la position avant-arrière en déplaçant les dispositifs de réglage latéraux dans la pièce faciale qui permettent de déplacer le masque vers l'avant ou l'arrière comme le montre la Fig. 3. Il est conseillé de s'assurer que les réglages latéraux soient à la même position de chaque côté pour obtenir un port équilibré et pour le confort général.



- 4) Avec le masque en place sur la tête, régler l'angle de vision vertical comme l'illustre la Fig. 4, de manière à optimiser le champ de vision et la position du masque par rapport au travail à effectuer.



Fonctionnement du filtre à lentille photosensible

⚠ MISE EN GARDE

Si le filtre à lentille photosensible Speedglas™ 3M™ ne s'obscurcit pas à l'apparition de l'arc de soudage, cesser immédiatement de souder et inspecter le filtre conformément aux *directives d'utilisation*. L'utilisation d'un filtre à lentille photosensible qui ne s'obscurcit pas **peut provoquer des blessures oculaires permanentes et une perte de vision**. Ne pas utiliser un tel filtre s'il est impossible de trouver la cause du problème et de le corriger; communiquer avec son superviseur, son distributeur ou avec 3M pour obtenir de l'aide. Le masque pour soudeurs 9100 FX Speedglas 3M (utilisé avec un filtre à lentille photosensible Speedglas 3M de série 9100) n'est pas conçu pour le soudage au laser ni pour les méthodes de soudage qui exigent une teinte 14 ou des filtres plus foncés. L'utilisation de ce produit à ces fins **peut provoquer des blessures oculaires permanentes et la cécité**.

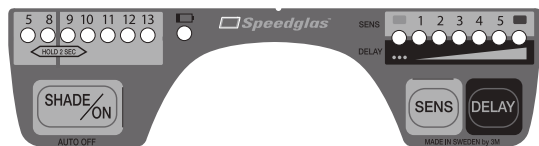
N'utiliser le filtre à lentille photosensible qu'à des températures comprises entre -5 et 55°C (23 et 131°F). À défaut de quoi, le filtre peut ne pas fonctionner comme prévu et il y a alors **et provoquer des blessures oculaires permanentes et une perte de vision**.

Marche/arrêt

Pour activer le filtre à lentille photosensible, appuyer sur le bouton « SHADE/ON » (teinte/marche). Le filtre se DÉSACTIVE automatiquement après 1 heure d'inactivité. Le filtre comporte trois capteurs optiques qui réagissent séparément et déclenchent l'obscurcissement du filtre à l'apparition d'un arc de soudage. Le filtre peut ne pas s'obscurcir si les capteurs sont obstrués ou lorsque l'arc de soudage est complètement protégé. Les sources lumineuses intermittentes (p. ex., lampes stroboscopiques de sécurité) peuvent activer le filtre, le faisant clignoter alors qu'il n'y a aucun procédé de soudage en cours. Cette interférence peut se produire de loin et/ou par lumière réfléchie. Les environnements de soudage doivent être bien protégés de telles interférences.

Teinte

Il y a sept réglages de teintes, répartis en deux groupes : teintes 5 et 8 et teintes 9 à 13. Pour connaître le réglage de teinte en cours, appuyer un moment sur le bouton SHADE/ON. Pour changer de teinte, appuyer à répétition sur le bouton SHADE/ON. Déplacer la DEL clignotante à la teinte recherchée. Pour changer de groupe de teintes (teintes 5 et 8) et (teintes 9 à 13); maintenir le bouton SHADE/ON enfoncé pendant 2 secondes. Dans tous les procédés de soudage, on doit regarder l'arc seulement avec la teinte foncée recommandée (tableau 2).



Sélection de la sensibilité

La programmation et la sensibilité du détecteur optique peuvent être réglées en fonction d'une variété de procédés de soudage et de conditions régnant dans le milieu de travail. Pour modifier le réglage de la sensibilité, appuyer à répétition sur le bouton SENS (sensibilité) jusqu'à ce que la DEL indique la sensibilité voulue.

Position	Verrouillage sur teinte pâle (mode meulage) – fonction commutation désactivée, demeure constamment en teinte 3.
Position 1	Réglage le moins sensible. Utilisé si les arcs d'autres soudeurs à proximité créent de l'interférence.
Position 2	Réglage par défaut. Utilisé pour la plupart des types de soudages à l'intérieur et à l'extérieur.
Position 3	Pour le soudage à l'arc stable (p. ex., soudage TIG).
Position 4	Pour le soudage TIG à faible intensité ou les machines à souder à onduleur.
Position 5	Pour le soudage TIG où une partie de l'arc n'est pas visible.
Position	Verrouillage sur teinte foncée – fonction commutation désactivée, demeure constamment en teinte foncée.



Verrouillage sur teinte pâle

Réglage destiné au meulage ou à d'autres activités hormis le soudage. Lorsque le filtre à lentille photosensible est verrouillé sur la teinte pâle (teinte 3), la DEL sous le symbole correspondant clignote toutes les 8 secondes pour le signaler à l'utilisateur. Le filtre à lentille photosensible doit être réglé à une sensibilité appropriée avant de commencer le soudage à l'arc, sinon il demeurera verrouillé à la teinte pâle. Lorsque le filtre à lentille photosensible se désactive (après 1 heure d'inactivité), il revient automatiquement au réglage de sensibilité 2 par défaut.

Positions 1 à 5

Si le filtre ne s'obscurcit pas comme prévu pendant le soudage, accroître la sensibilité jusqu'à ce que le filtre passe à la teinte adéquate de manière fiable. Si la sensibilité est trop élevée, le filtre peut conserver la teinte foncée après le soudage en raison de la lumière ambiante. Dans ce cas, réduire la sensibilité de manière que le filtre passe correctement à une teinte foncée ou pâle.

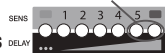


Verrouillage sur teinte foncée

Réglage qui verrouille le filtre à lentille photosensible sur la teinte foncée sélectionnée. Lorsque le filtre à lentille photosensible se désactive (après 1 heure d'inactivité), il revient automatiquement au réglage de sensibilité 2 par défaut.

Délat

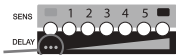
La fonction de délai permet d'augmenter ou de diminuer le délai de retour à la teinte pâle en fonction des exigences du procédé de soudage. Les intervalles de temps de retour s'accroissent automatiquement avec l'accroissement de la teinte. Le tableau 3 présente ces intervalles en millisecondes. Même si les fonctions de délai et de sensibilité partagent une même DEL, il s'agit de réglages distincts.



Retour à la teinte pâle en 2 étapes

Dans le passage à la teinte pâle, les deux plus longs réglages comprennent une phase intermédiaire. Lorsque l'arc s'éteint, le filtre revient brièvement à la teinte 5, puis à la teinte 3. Les intervalles pour chaque phase correspondent à d1 et d2 dans le tableau 3.

Soudage par points



Ce réglage peut aider à réduire la fatigue oculaire occasionnée par l'accommodement constant de l'œil à différents niveaux d'éclairage durant le soudage par points rapide. Lorsque l'arc s'éteint, le filtre revient à la teinte 5. Si un autre arc ne s'allume pas dans les 2 secondes suivantes, le filtre revient à la teinte 3 normale.

Voyant de piles faibles

Remplacer les piles lorsque l'indicateur de piles faibles clignote ou lorsque les DEL ne clignotent pas quand on appuie sur les boutons.

Tableau 2. Guide recommandé pour les numéros de teinte (adapté de la norme Z49.1-2003 de l'ANSI)

Procédé de soudage	Diamètre de l'électrode, po	Intensité de l'arc, ampères	Teinte de protection minimale	N° de teinte recommandé
Soudage à l'arc avec électrode enrobée	< 3	< 60	7	---
	3 à 5	60 à 160	8	10
	5 à 8	160 à 250	10	12
	> 8	250 à 550	11	14
Soudage à l'arc avec fil électrode	< 60	< 60	7	---
	60 à 160	60 à 160	10	11
	160 à 250	160 à 250	10	12
	250 à 500	250 à 500	10	14
Soudage à l'électrode de tungstène	< 50	< 50	8	10
	50 à 150	50 à 150	8	12
	150 à 500	150 à 500	10	14
Coupage à l'arc au charbon avec jet d'air comprimé	< 500	< 500	10	12
	500 à 1 000	500 à 1 000	11	14
Soudage au plasma	< 20	< 20	6	6 à 8
	20 à 100	20 à 100	8	10
	100 à 400	100 à 400	10	12
	400 à 800	400 à 800	11	14
Découpage au plasma	< 300	< 300	8	9
	300 à 400	300 à 400	9	12
	400 à 800	400 à 800	10	14
Soudage à l'arc avec électrode de carbone				14

RÉCUPÉRATION POUR LES RETARDS (MS)

Teinte	Retard	d1				Σ		d2		Σ	
		40	60	90	130						
5	40	40	60	90	130			200			300
8	40	40	60	100	150			250			400
9	40	40	60	100	150	200	300	500	375	625	1000
10	40	40	70	150	200	300	300	600	425	625	1050
11	50	50	80	200	300	375	325	700	475	625	1100
12	50	50	90	250	400	475	325	800	575	625	1200
13	60	60	100	300	450	525	325	850	675	625	1300

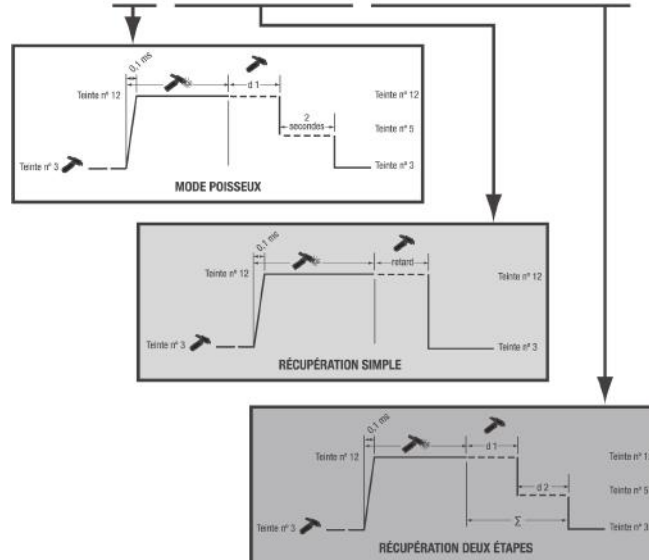
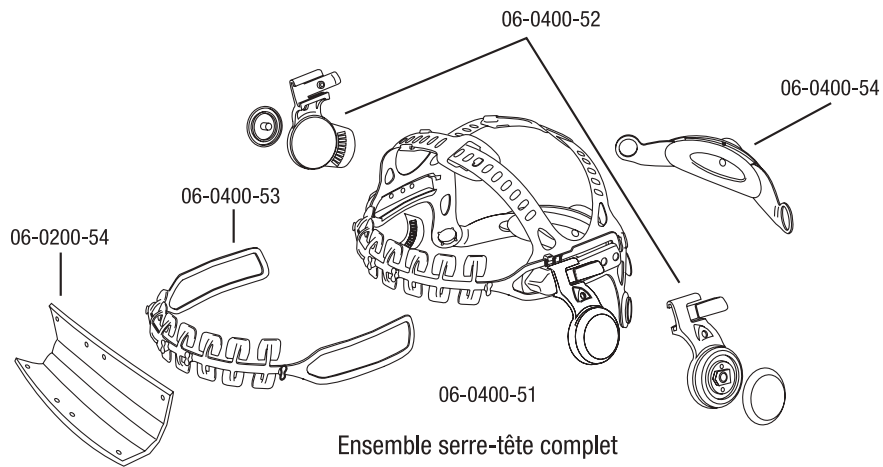
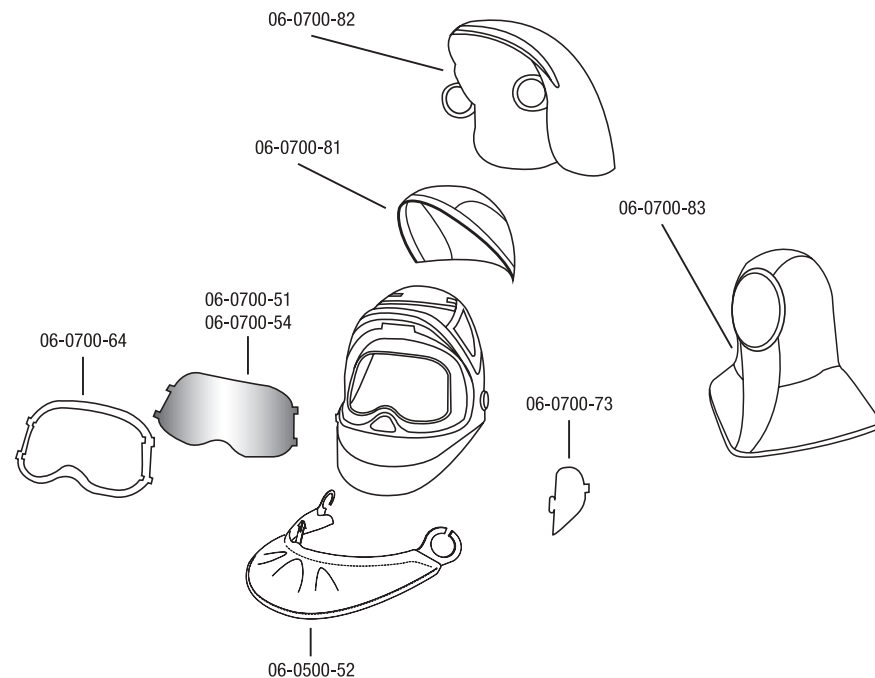
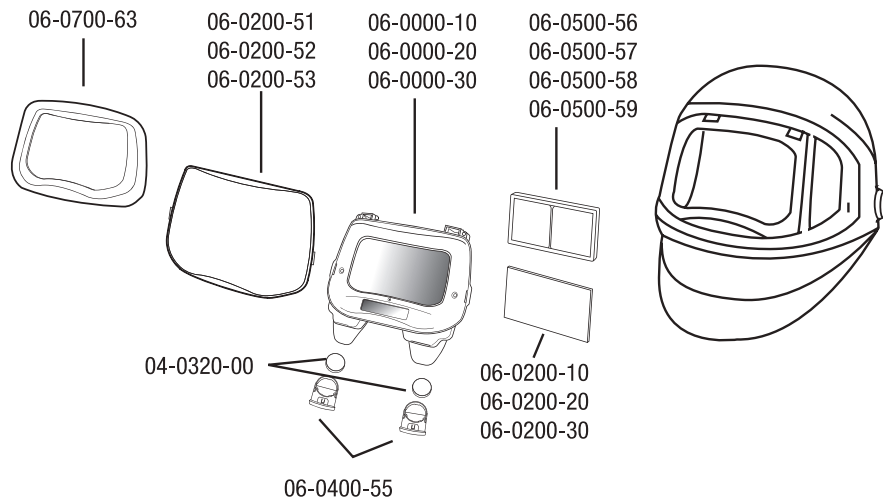


Tableau 3

COMPOSANTS ET PIÈCES DE RECHANGE DU SYSTÈME SPEEDGLAS™ 3M™



Ensemble serre-tête complet



Ensemble masque complet Speedglas™ 3M™

- 06-0600-10SW Masque pour soudeurs 9100 FX avec lentilles latérales SideWindows et filtre à lentille photosensible 9100V
- 06-0600-20SW Masque pour soudeurs 9100 FX avec lentilles latérales SideWindows et filtre à lentille photosensible 9100X
- 06-0600-30SW Masque pour soudeurs 9100 FX avec lentilles latérales SideWindows et filtre à lentille photosensible 9100XX

Pièces de rechange et accessoires Speedglas™ 3M™

- 04-0320-00 Piles (CR-2032)
- 06-0000-10 Filtre à lentille photosensible 9100V
- 06-0000-20 Filtre à lentille photosensible 9100X
- 06-0000-30 Filtre à lentille photosensible 9100XX

06-0200-10	Plaque de protection intérieure 9100V (5/paquet)
06-0200-20	Plaque de protection intérieure 9100X (5/paquet)
06-0200-30	Plaque de protection intérieure 9100XX (5/paquet)
06-0201-10	Trousse de lancement 9100V (contient 5 plaques de protection extérieures, 2 plaques de protection intérieures et un bandeau antisudation)
06-0201-20	Trousse de lancement 9100X (contient 5 plaques de protection extérieures, 2 plaques de protection intérieures et un bandeau antisudation)
06-0201-30	Trousse de lancement 9100XX (contient 5 plaques de protection extérieures, 2 plaques de protection intérieures et un bandeau antisudation)
06-0200-51	Plaque de protection extérieure ordinaire 9100
06-0200-52	Plaque de protection extérieure antiégratignures 9100
06-0200-53	Plaque de protection extérieure thermorésistante 9100
06-0200-54	Bandeau antisudation 9100
06-0400-51	Ensemble serre-tête 9100 complet (pièce faciale)
06-0400-52	Mécanisme à pivot 9100 (gauche et droite)
06-0400-53	Partie avant du serre-tête 9100
06-0400-54	Partie arrière du serre-tête 9100 (mécanisme d'ajustement à cliquet)
06-0400-55	Porte-piles 9100
06-0500-51	Protecteur de tête 9100, Tecaweld
06-0500-52	Protecteur pour les oreilles et le cou 9100, Tecaweld
06-0500-54	Calotte pour soudeurs (sans visière)
06-0500-55	Casque pour soudeurs avec visière
06-0500-56	Plaque de grossissement 1,5X
06-0500-57	Plaque de grossissement 2,0X
06-0500-58	Plaque de grossissement 2,5X
06-0500-59	Plaque de grossissement 3,0X
06-0500-60	Sac de rangement pour vêtements
06-0500-61	Décalque de marque pour coffre à outils
06-0700-51	Visière à grande visibilité pour meulage, standard
06-0700-54	Visière à grande visibilité pour meulage, antibuée
06-0700-63	Panneau avant 9100 FX, chrome
06-0700-64	Cadre de visière à grande visibilité 9100 FX pour meulage
06-0700-73	Protecteurs de lentilles latérales 9100 FX
06-0700-81	Pièce faciale 9100 FX standard
06-0700-82	Pièce faciale 9100 FX allongée (tête et cou)
06-0700-83	Cagoule complète, noire

INSPECTION ET ENTRETIEN DU SYSTÈME

⚠ MISE EN GARDE

Ne jamais modifier ce masque pour soudeurs. Réparer ou remplacer les pièces uniquement avec des composants approuvés par 3M. L'utilisation de composants autres que ceux fournis par 3M peut réduire le rendement du masque pour soudeurs et **provoquer des blessures graves ou la mort**. Ne pas peindre la pièce faciale ou la nettoyer à l'aide de solvants. Tout décalque appliqué sur la pièce faciale doit être compatible avec la surface et ne doit pas affecter les caractéristiques des matériaux de la pièce faciale. Les décalques peuvent modifier les caractéristiques d'inflammabilité de cette pièce faciale.

Inspecter soigneusement tout le filtre pour soudeurs 9100 Speedglas™ 3M™ avant chaque utilisation. Un filtre ou des plaques de protection fissurés, piqués ou égratignés peuvent réduire la visibilité et affaiblir considérablement la protection. Remplacer immédiatement tous les composants endommagés. Enlever la pellicule protectrice de la visière.

Remplacer toute pièce faciale ayant subi un choc violent.

Vérifier si des pièces du masque pour soudeurs et de la pièce faciale sont usées ou endommagées. Remplacer toute pièce usée ou endommagée comprenant des composants énumérés dans la liste des pièces de rechange et des accessoires mentionnée dans les présentes *directives d'utilisation*.

Vérification du bon fonctionnement du filtre à lentille photosensible : Tenir le filtre à quelques pouces d'une lampe fluorescente et observer le filtre passer à la teinte foncée sélectionnée. Selon la source de lumière, il peut être nécessaire d'augmenter temporairement le niveau de sensibilité. Au choix, le filtre à lentille photosensible peut être déclenché en pointant une télécommande (p. ex., de téléviseur) sur les capteurs du filtre et en appuyant sur le bouton « On » (marche).

Remarque : Si le filtre à lentille photosensible ne réagit pas comme il est indiqué dans les présentes *directives d'utilisation*, ne pas l'utiliser et communiquer immédiatement avec son superviseur ou son représentant de 3M.

Remplacement du bandeau antisudation

Voir la Fig. 5.

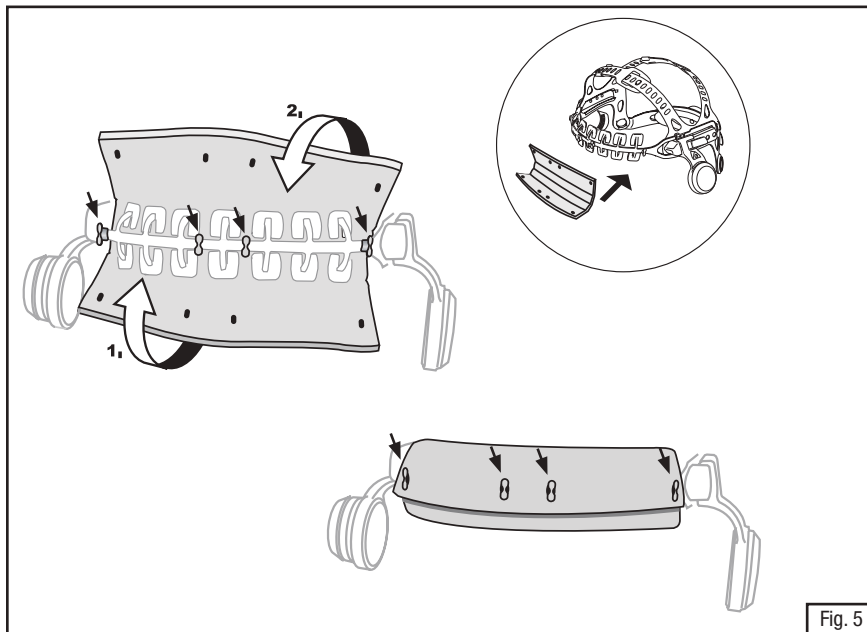


Fig. 5

Retrait et installation du cadre argent, de la plaque de protection extérieure et du filtre à lentille photosensible

Voir la Fig. 6.

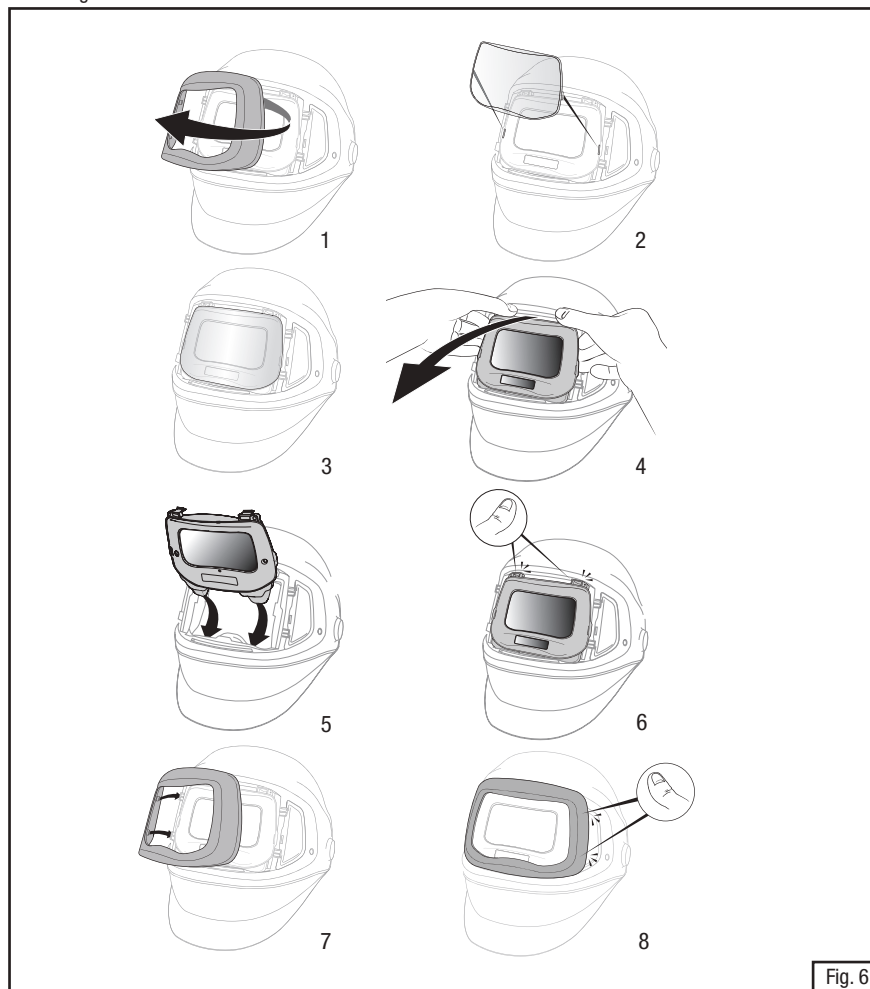


Fig. 6

Installation de la plaque de protection intérieure, remplacement des piles et installation de la lentille de grossissement

Voir les Figs. 7 à 9.

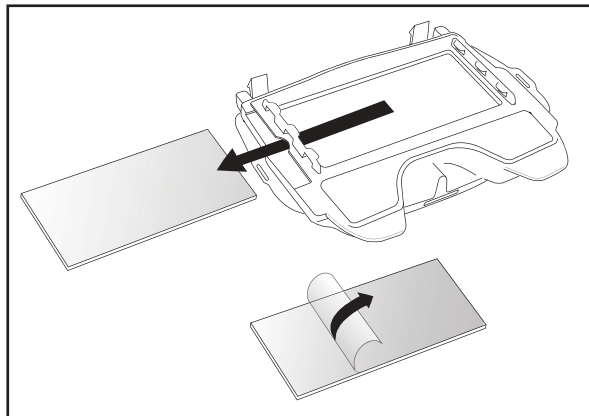


Fig. 7. Plaque de protection intérieure

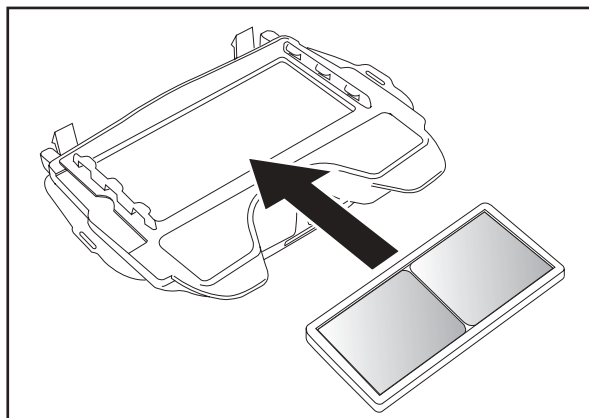
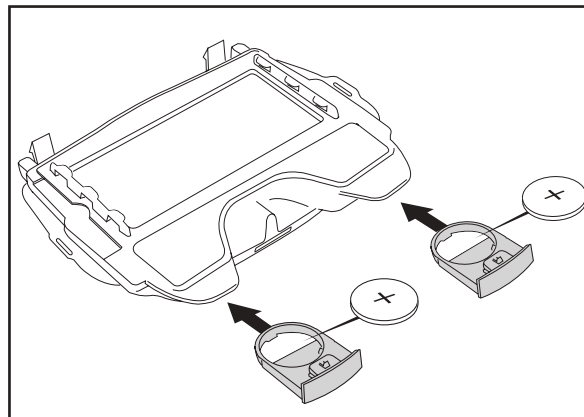


Fig. 8. Lentille de grossissement



**Fig. 9. Pile
Installation des protecteurs pour lentilles latérales**

Voir la Fig. 10.

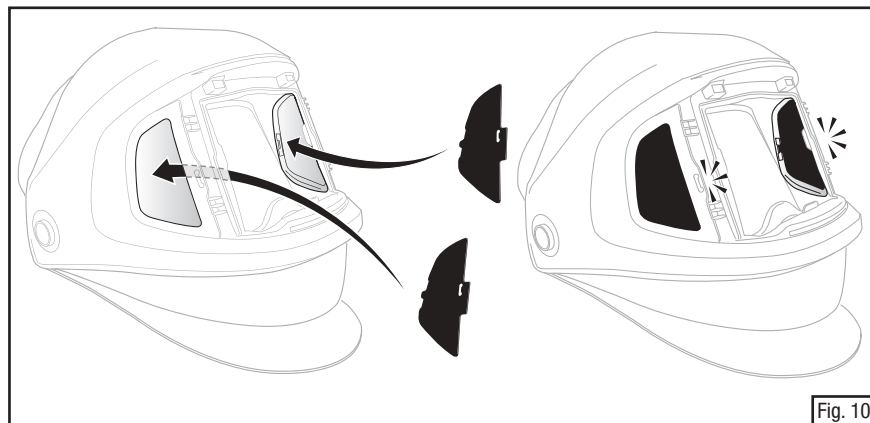
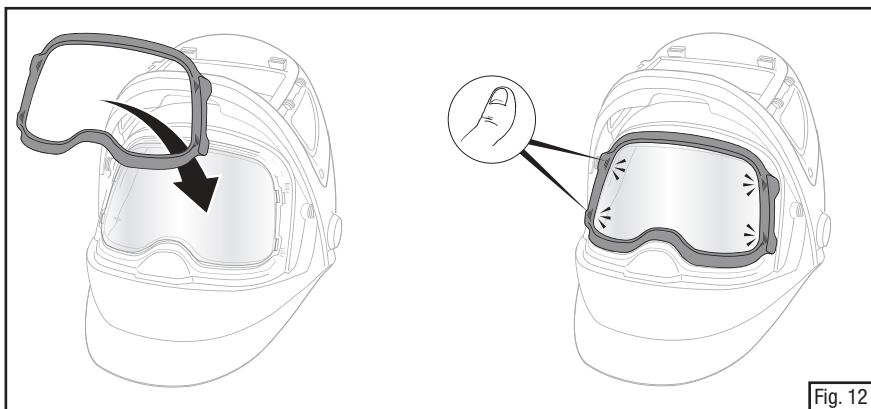
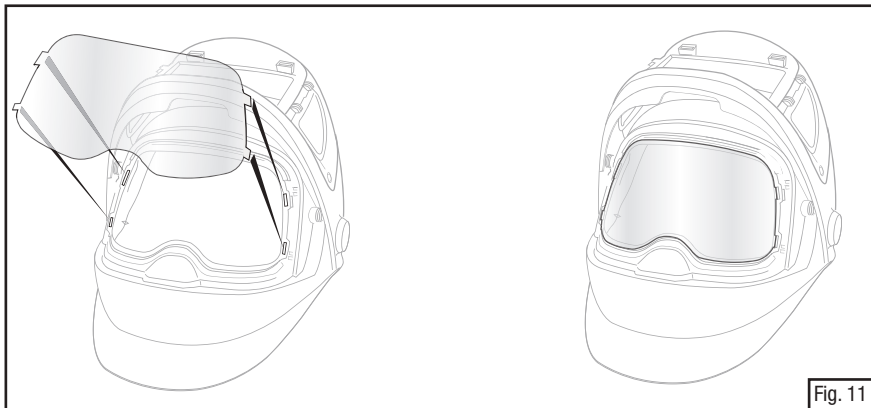


Fig. 10

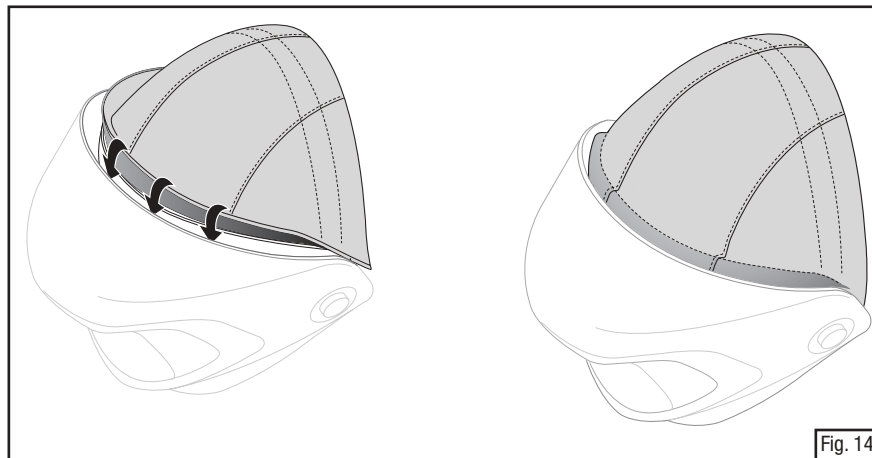
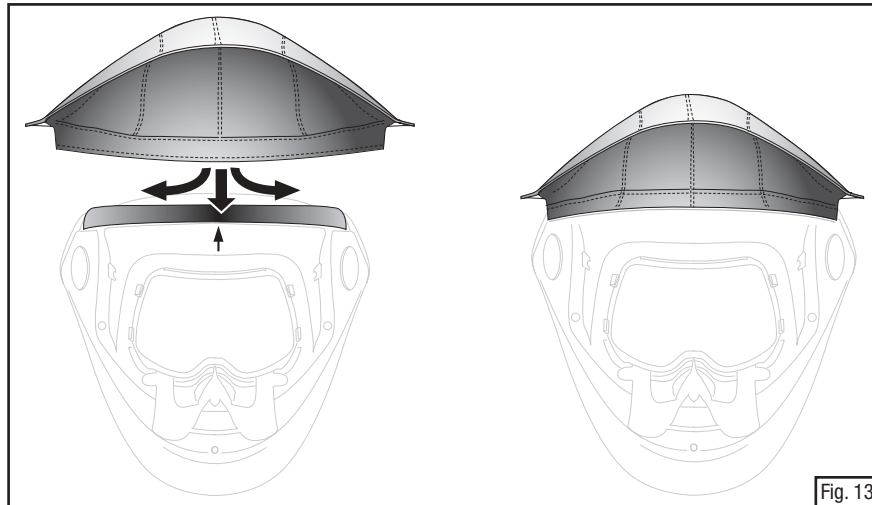
Remplacement de la visière transparente pour meulage

Retirer le cadre noir de la visière pour meulage en soulevant doucement les quatre languettes. Retirer et remplacer la visière transparente pour meulage et remettre le cadre en place (Fig. 11 et 12).



Installation du protecteur surdimensionné supérieur

Aligner les attaches à boucles et à crochets conformément à ce qui est illustré (Fig. 13 et 14). Si le protecteur surdimensionné est de grande taille, fixer les boucles d'attache entre l'intérieur du masque et l'emplacement du mécanisme à pivot de la pièce faciale.



NETTOYAGE ET ENTREPOSAGE

MISE EN GARDE

Ne pas peindre la pièce faciale ou la nettoyer à l'aide de solvants. Tout décalque appliqué sur la pièce faciale doit être compatible avec la surface et ne doit pas affecter les caractéristiques des matériaux de la pièce faciale.

Nettoyer le masque pour soudeurs à l'eau tiède et au savon doux. Ne pas utiliser de solvants. Nettoyer le filtre à lentille photosensible avec un essuie-tout ou un chiffon propre et sans charpie. Ne pas plonger les filtres à lentille photosensible dans l'eau ni les asperger directement de liquide. Entreposer le matériel à température ambiante dans un endroit propre, sec et exempt de poussière.

MISE AU REBUT

Mettre au rebut le matériel qui a atteint la durée utile prévue, conformément aux règlements locaux.

GARANTIE

GARANTIE : Si un produit de la Division des produits d'hygiène industrielle et de sécurité environnementale de 3M présente un défaut de matériau ou de fabrication, ou s'il n'est pas conforme à toute garantie explicite d'adaptation à un usage particulier, la seule obligation de 3M, qui constitue votre seul recours, est, au gré de 3M, de réparer ou de remplacer toute pièce ou tout produit défectueux, ou d'en rembourser le prix d'achat, à condition que l'utilisateur avise 3M en temps opportun et pourvu qu'il présente une preuve que le produit a été entreposé, entretenu et utilisé conformément aux directives écrites de 3M.

RESTRICTIONS DE GARANTIE : LA PRÉSENTE GARANTIE EST EXCLUSIVE ET TIENT LIEU DE TOUTE GARANTIE OU CONDITION EXPLICITE OU IMPLICITE DE QUALITÉ MARCHANDE ET D'ADAPTATION À UN USAGE PARTICULIER OU DE TOUTE AUTRE GARANTIE OU CONDITION DE QUALITÉ, À L'EXCEPTION DES GARANTIES RELATIVES AUX TITRES DE PROPRIÉTÉ ET À LA CONTREFAÇON DE BREVETS

LIMITE DE RESPONSABILITÉ : À l'exception de ce qui précède, 3M ne saurait être tenue responsable des pertes ou dommages directs, indirects, spéciaux, fortuits ou conséquents résultant de la vente, de l'utilisation ou de la mauvaise utilisation des produits de la Division des produits d'hygiène industrielle et de sécurité environnementale de 3M, ou de l'incapacité de l'utilisateur à s'en servir. LES RECOURS ÉNONCÉS AUX PRÉSENTES SONT EXCLUSIFS.

POUR OBTENIR DE PLUS AMPLES RENSEIGNEMENTS/ FOR MORE INFORMATION

Au Canada, communiquer avec/In Canada, contact :

Internet : www.3M.ca/Safety

Assistance technique/Technical Assistance :

1 800 267-4414

Centre communication-client/Customer Care Center : 1 800 364-3577

Contenido

Descripción del sistema.....	49
Advertencias y precauciones.....	49
Limitaciones de uso.....	50
Especificaciones.....	50
Instrucciones de operación.....	52
Ajuste de la careta.....	52
Función del ADF.....	57
Componentes del sistema y partes de repuesto.....	61
Inspección y Mantenimiento Del Sistema.....	64
Limpieza y almacenamiento.....	71
Eliminación.....	71
Limitación de responsabilidades.....	71
Para obtener más información.....	71

DESCRIPCIÓN DEL SISTEMA

Estas *Instrucciones* aplican para la Careta para soldadura 3M™ Speedglas™ 9100 FX. Las Caretas para soldadura Speedglas 3M 9100 FX con lente auto-oscorecente (ADF por sus siglas en inglés) están diseñadas para ayudar a proteger los ojos del usuario contra radiación dañina, como luz visible, radiación ultravioleta (UV) y radiación infrarroja (IR), ocasionadas por ciertos procesos de soldadura por arco, plasma y gas, cuando se utilizan de acuerdo con estas *Instrucciones*. Los tres sensores ubicados al frente de los lentes auto-oscorecentes (ADFs) se activan independientemente al momento de iniciar el proceso de soldadura por arco, lo que hace que el lente se oscurezca. El ADF regresa a la sombra clara tan pronto termina el arco de soldadura. Como fuente de energía se usan dos baterías de litio. Debido al recubrimiento morado del lente, conocido como filtro, la protección contra radiación ultravioleta (UV) e infrarroja (IT) es continua, ya sea que el ADF esté en el estado de sombra clara u oscura. En caso de que haya una falla de batería o electrónica, el soldador sigue protegido contra la radiación UV e IR de acuerdo con la sombra más oscura (sombra 13).

Estas caretas para soldadura ofrecen un lente transparente de policarbonato con campo de visión amplio, ideal para precisión de soldadura bajo una variedad de condiciones de luz. El lente transparente cumple con los requerimientos de las normas ANSI Z87.1-2010 y CSA Z94.3 para protección ocular y facial contra alto impacto y ofrece protección limitada contra ciertas partículas en el aire. Para usar el lente transparente, el usuario sólo levanta el protector para soldadura montado con resorte, que sostiene el lente auto-oscorecente para soldadura (ADF) y lo fija en la posición superior para la preparación de soldadura. Antes de iniciar el trabajo de soldadura debe bajar de nuevo el protector para soldadura montado.

LISTA DE ADVERTENCIAS Y PRECAUCIONES DENTRO DE ESTAS INSTRUCCIONES

⚠ ADVERTENCIA

- No use ningún producto para soldadura sin contar con la capacitación adecuada. Para su uso adecuado consulte a su supervisor, lea las *Instrucciones*, o llame a 3M en EUA al 1-800-243-4630. En Canadá llame al Servicio Técnico al 1-800-267-4414. En México llame al 01-800-712-0646.
- La Careta para soldadura 3M Speedglas 9100 FX cumple con los requerimientos de las normas ANSI Z87.1-2010 y CSA Z94.3 para inflamabilidad. El usuario debe evaluar los riesgos en el lugar de trabajo y tomar las medidas precautorias necesarias para estos. 3M no sugiere el uso de estos productos en áreas donde es posible el contacto con flama abierta. **El uso inadecuado puede ocasionar lesiones o incluso la muerte.**
- Siempre use gafas de seguridad que cumplan con la norma ANSI Z87.1- junto con cualquier careta para soldadura. **No hacerlo puede ocasionar lesiones permanentes en los ojos y pérdida de la vista.** En Canadá debe cumplir con la norma CSA Z94.3 y/o los requerimientos para protección ocular de la autoridad correspondiente en la región.
- Nunca modifique ni altere esta careta para soldadura. Sólo repare o reemplace las partes con componentes 3M aprobados. El uso de componentes distintos a los suministrados por 3M puede afectar el funcionamiento de la careta para soldadura y **ocasionar enfermedad o incluso la muerte.**
- Esta careta no se debe pintar ni limpiar con solventes. Cualquier calcomanía aplicada a la careta debe ser compatible con el material de la superficie y no afectar las características de los materiales utilizados en la careta. Es probable que las calcomanías afecten las características de inflamabilidad de esta careta.
- Debe reemplazar cualquier careta sujeta a impacto severo.

⚠ ADVERTENCIA

- Debe cubrir las ventanas laterales con micas protectoras en situaciones donde otros soldadores estén trabajando en un lugar cercano y en situaciones donde la luz reflejada pueda pasar a través de las ventanas.
- Si el Lente auto-oscorecente 3M™ Speedglas™ no cambia a modo oscuro al momento de iniciar el proceso de soldadura por arco, de inmediato debe detener la operación y revisar el ADF como se indica en estas *Instrucciones*. El uso continuo de un ADF que falla en el cambio a modo oscuro **puede resultar en lesiones permanentes de los ojos y pérdida de la vista**. Si no puede identificar ni corregir el problema, no use el ADF; contacte a su supervisor o a 3M para solicitar ayuda.
- Antes de cada uso, revise cuidadosamente el Filtro 3M Speedglas 9100. Las lentes o las micas protectoras agrietadas, pinchadas o rayadas pueden comprometer la protección y reducir la visión. Debe de reemplazar de inmediato todos los componentes dañados. Retire la película protectora del visor.
- La Careta para soldadura 3M Speedglas 9100 FX no está diseñada para operaciones de soldadura/corte aéreas de uso rudo, debido al riesgo de quemaduras proveniente del metal fundido. Usar este producto para estas aplicaciones puede **ocasionar lesiones graves o incluso la muerte**.
- La Careta para soldadura 3M Speedglas 9100 FX – usada con ADFs 3M Speedglas Serie 9100- no son adecuadas para soldadura con láser o procesos de soldadura que requieren lentes con sombra 14 o superior. El uso de este producto para estas aplicaciones **puede ocasionar lesiones permanentes en los ojos y pérdida de la vista**.
- Sólo use el ADF en temperaturas entre -5°C (23°F) y +55°C (131°F). Usado fuera de este rango, es posible que el desempeño del lente desempeño no sea el óptimo, lo que **puede ocasionar lesiones permanentes en los ojos y pérdida de la vista**.

⚠ PRECAUCIÓN:

Deseche el equipo que ha alcanzado el total de su vida útil de acuerdo con las regulaciones locales.

LIMITACIONES DE USO

Limitaciones importantes:

- Estos productos no ofrecen ninguna protección contra riesgos respiratorios ocasionados por procesos de soldadura u otras fuentes. La Careta para soldadura 3M Speedglas 9100 FX puede usarse junto con ciertos modelos de respiradores. Para mayores informes sobre protección respiratoria para soldadores, contacte al Servicio Técnico 3M en EUA al 1800-243-4630; en Canadá al 1-800-267-4414; en México al 01-800-712-0646, o contacte a 3M en su país.

Nota: La Careta para soldadura 3M Speedglas 9100 FX no incluye componentes de látex de hule natural.

ESPECIFICACIONES

Protección ocular y facial

Cumple con ANSI Z87.1-2010, requerimientos de alto impacto y CAS Z94.3

Impacto en cabeza

Ninguno – No ofrece protección contra impacto

en cabeza

Temperaturas de operación

-5°C a 55°C (23°F a 131°F)

Tabla 1. Especificaciones de Caretas para soldadura 3M™ Speedglas™			
Datos técnicos	Careta para soldadura 9100 FX-V	Careta para soldadura 9100 FX-X	Careta para soldadura 9100 FX-XX
Área de visión	1.8 x 3.7 pulg (45 x 93 mm)	2.1 x 4.2 pulg (54 x 107 mm)	2.8 x 4.2 pulg (72 x 107 mm)
Vida de la batería (2 x CR-2032) (min.)	2,800 horas	2,500 horas	2,000 horas
SopORTE solar	Sí	Sí	No
Peso total 9100 FX Ensamble c/ ventanas laterales (aprox.)	550 g (19.1 oz)	560 g (19.8 oz)	585 g (20.6 oz)
Sombras oscuras	Sombras 5, 8, 9, 10, 11, 12, 13		
Estado claro	Sombra 3		
Velocidad de cambio de sombra	< 0.1 ms (+23°C)		
Modos especiales	Lijado, unión, seguro		
Modos de sensibilidad	5 niveles		
Rango TIG	> 1 Amp		
Número de sensores	3 (2 nivel del ojo, 1 central)		
Retardo (recuperación)	Ajustable 40 – 1300 ms		
Rango de temperatura	-5°C a 55°C (23°F a 131°F)		
Cumplimiento de normas	ANSI Z87.1-2010 & CSA Z94.3-2007		
Garantía	2 años		
Tamaños de cabeza	50-64 cm (6-8 pulgs)		
Visor	PPA		
Frente plata y caja ADF	Nylon		
Banda para la cabeza	Nylon, PP, PE, TPE		
Ventanas laterales	Policarbonato		
Micas protectoras	Policarbonato		
Tela resistente a la flama	75% algodón, tela sintética 25% Kevlar®		

INSTRUCCIONES DE OPERACIÓN

⚠ ADVERTENCIA

La Careta para soldadura 3M™ Speedglas™ 9100 FX cumple con los requerimientos de las normas ANSI Z87.1-2010 y CSA Z94.3 para inflamabilidad. El usuario debe evaluar los riesgos en el lugar de trabajo y tomar las medidas precautorias necesarias para estos. 3M no sugiere el uso de estos productos en áreas donde es posible el contacto con flama abierta. **El uso inadecuado puede ocasionar lesiones o incluso la muerte.**

Debe cubrir las ventanas laterales con micas protectoras en situaciones donde otros soldadores estén trabajando en un lugar cercano y en situaciones donde la luz reflejada pueda pasar a través de las ventanas.

La Careta para soldadura 3M Speedglas 9100 FX no está diseñada para operaciones de soldadura/corte aéreas de uso rudo, debido al riesgo de quemaduras proveniente del metal fundido. Usar este producto para estas aplicaciones puede **ocasionar lesiones graves o incluso la muerte.**

Siempre use gafas de seguridad que cumplan con la norma ANSI Z87.1- junto con cualquier careta para soldadura. **No hacerlo puede ocasionar lesiones permanentes en los ojos y pérdida de la vista.** En Canadá debe cumplir con la norma CSA Z94.3 y/o los requerimientos para protección ocular de la autoridad correspondiente en la región.

Desempacado

Revise si el contenido del empaque tiene algún daño por transporte y asegúrese que estén todos los componentes. Antes de cada uso debe revisar el producto de acuerdo con los procedimientos señalados en la sección de *Inspección* de estas *Instrucciones*.

Ajuste de careta

Nota: Para asegurarse que la Careta para soldadura 3M Speedglas 9100 FX esté bien ajustada antes de su uso debe realizar los siguientes ajustes.

- Coloque la Careta para soldadura 3M Speedglas 9100 FX en la cabeza y apriete la matraca en la parte posterior de la careta (Fig. 1) hasta que logre un ajuste seguro y cómodo. Si no puede lograr un ajuste cómodo con la matraca, use el ajuste en la banda para la cabeza frontal donde el ajuste L, M y S están mostrados en el fondo de la Fig. 1. L se refiere a una circunferencia de cabeza más grande, M es para una mediana y S para una circunferencia pequeña. Arregle el ajuste con base en la circunferencia de la cabeza y luego vuelva a colocar la careta en la cabeza y apriete la matraca para lograr un ajuste fijo y cómodo. Para un ajuste adicional también debe girar la matraca 180 grados para lograr un ajuste un poco diferente con base en la posición como se muestra en la Fig. 2.
- Las dos bandas superiores de la coronilla deben ajustarse para asegurar que el peso de la careta quede distribuido uniformemente sobre la cabeza. Con la careta puesta y la matraca apretada, asegúrese que ambas bandas en la coronilla están ajustadas de modo que no haya espacios entre la parte superior de la cabeza y las bandas para la coronilla. A veces, la banda para la coronilla posterior es muy larga y dejar un espacio, pero no es una forma adecuada de usar la careta. Si hay un espacio grande, ajuste las bandas para la coronilla al deslizar y apretar como se muestra en la Fig. 1. Si no hay ningún espacio, pero siente que la careta queda muy arriba de la cabeza, afloje las bandas de la coronilla hasta que logre la altura deseada.

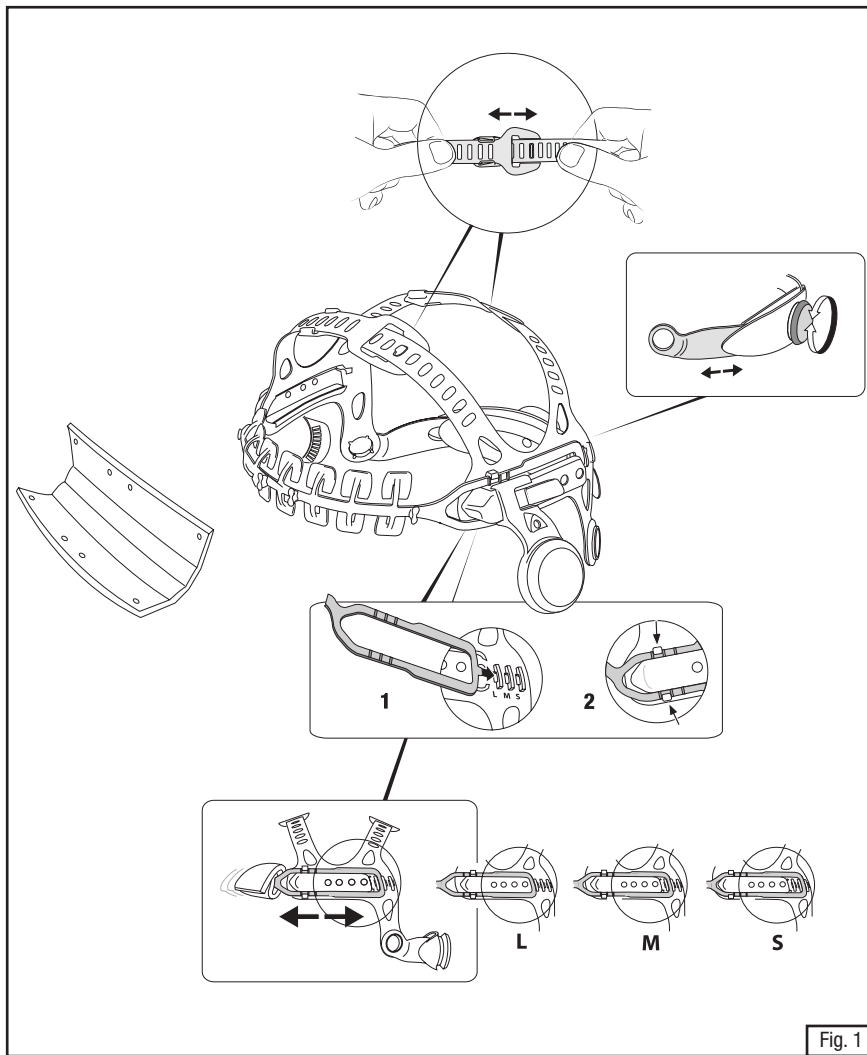


Fig. 1

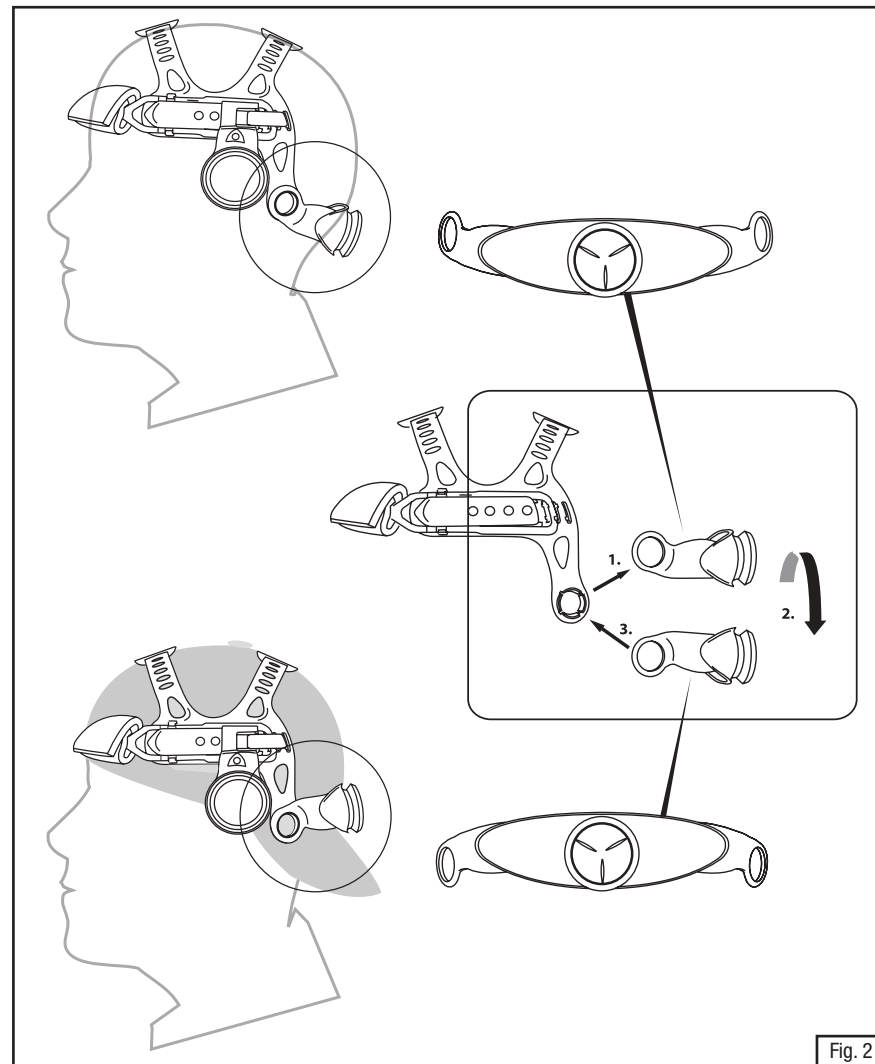
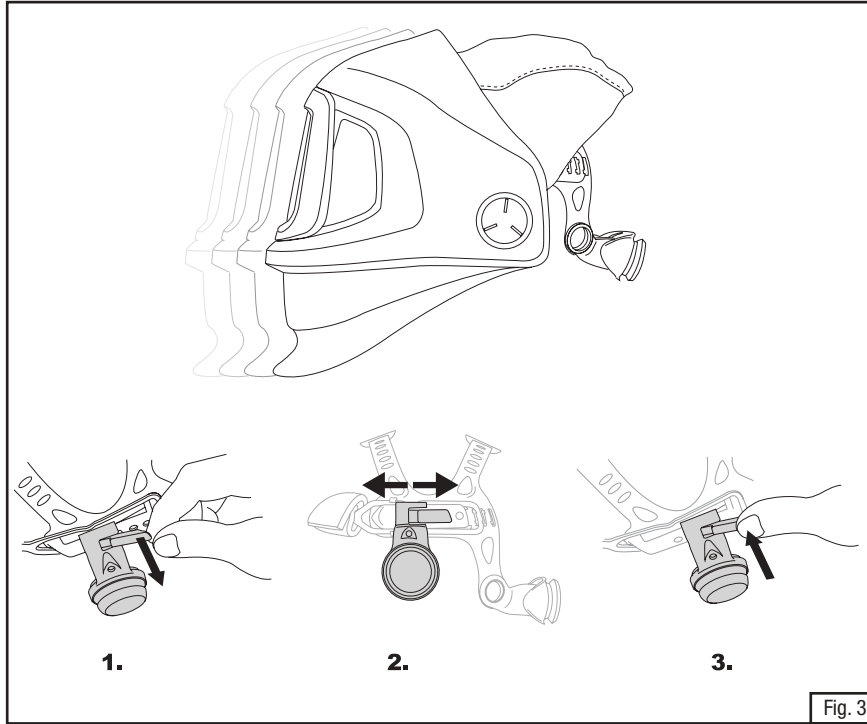
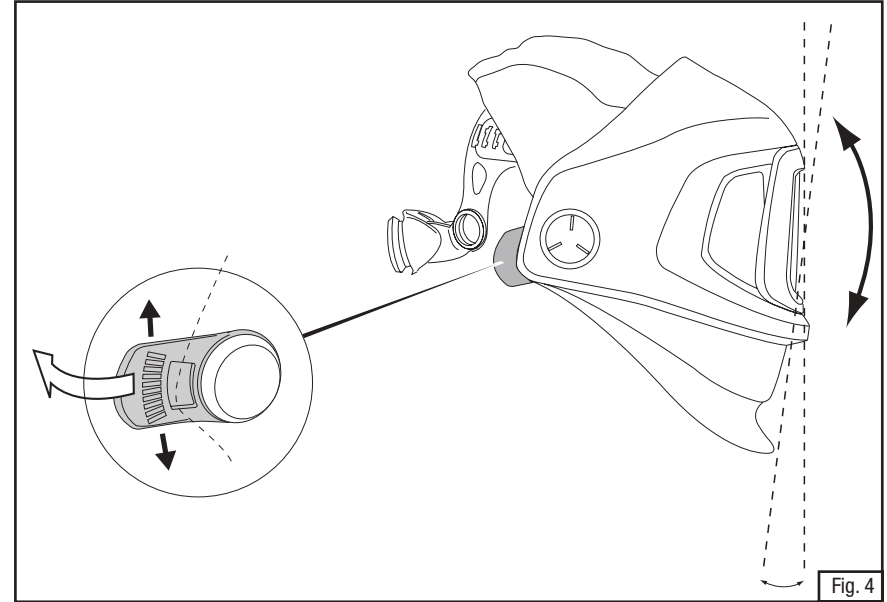


Fig. 2

- 3) Después, debe ajustar la posición del frente hacia atrás, de modo que la careta quede a una distancia cómoda desde la cara, pero que no toque la nariz o la cara. El ajuste de frente hacia atrás puede lograrse al mover los ajustes del riel en la careta, que también mueve la careta de adelante hacia afuera, como se muestra en la Fig. 3. Asegúrese que los accesorios en ambos lados del riel de ajuste estén en la misma posición para ayudar al balance y comodidad total.



- 4) Con la careta puesta en la cabeza, ajuste el ángulo de visión vertical como se muestra en la Fig. 4 para optimizar el área de visión y la posición de la careta relativa a la aplicación del lugar de trabajo.



Función del ADF

⚠ ADVERTENCIA

Si el Lente auto-oscurecente 3M™ Speedglas™ no cambia a modo oscuro al momento de iniciar el proceso de soldadura por arco, de inmediato debe detener la operación y revisar el ADF como se indica en estas *Instrucciones*. El uso continuo de un ADF que falla en el cambio a modo oscuro **puede resultar en lesiones permanentes de los ojos y pérdida de la vista**. Si no puede identificar ni corregir el problema, no use el ADF; contacte a su supervisor o a 3M para solicitar ayuda. La Careta para soldadura 3M Speedglas 9100 FX – usada con ADF 3M Speedglas Serie 9100 - no es adecuada para soldadura con láser o procesos de soldadura que requieren lentes con sombra 14 o superior. El uso de este producto para estas aplicaciones **puede ocasionar lesiones permanentes en los ojos y pérdida de la vista**.

Sólo use el ADF en temperaturas entre -5°C (23°F) y $+55^{\circ}\text{C}$ (131°F). Usado fuera de este rango, es posible que el desempeño del lente desempeño no sea el óptimo, lo **que puede ocasionar lesiones permanentes en los ojos y pérdida de la vista**.

Encendido/apagado

Para activar el ADF presione el botón SHADE/ON (SOMBRA/ENCENDIDO). El ADF se apaga automáticamente después de una hora de inactividad. El ADF cuenta con tres fotosensores que reaccionan de forma independiente y hacen que el filtro se oscurezca cuando se inicia el arco de soldadura. Es posible que el ADF no se encienda si los sensores están bloqueados o el arco de soldadura está totalmente protegido. Las fuentes de luz centellante, como las lámparas estroboscópicas, pueden activar el ADF incluso cuando no haya un proceso de soldadura. Esta interferencia puede ocurrir desde distancias grandes y/o de luz reflejada. Las áreas de soldadura deben estar protegidas de esta interferencia.

Sombra

Se encuentran disponibles siete sombras diferentes, divididas en dos grupos: 5, 8 y 9-13. Para ver la programación actual de sombra, presione por un momento el botón SHADE/ON. Para cambiar la sombra, presione repetidas veces el botón SHADE/ON. Mueva el LED centellando hasta la sombra deseada. Para cambiar entre los dos grupos de sombra (sombra 5,8) y (sombra 9-13); presione el botón SHADE/ON por 2 segundos. En todo proceso de soldadura el arco sólo debe verse con la sombra sugerida (Tabla 2).



Selección de sensibilidad

La programación y sensibilidad del sistema detector de luz puede ajustarse para acomodar una variedad de procesos de soldadura y condiciones del lugar de trabajo. Para cambiar la programación de sensibilidad, pulse el botón de SENS varias veces hasta que el LED indique la programación deseada.

Posición

Seguro: estado de luz (modo de lijado) – La función de cambio está deshabilitada, permanece en sombra 3 constante.

Posición 1

Programación menos sensible. Usada si hay interferencia desde otros arcos de soldadura en los alrededores.

Posición 2

Programación de fábrica. Usada para la mayoría de los tipos de soldadura, en interiores y exteriores.

Posición 3

Para soldadura con arcos estables, como soldadura TIG.

Posición 4

Para soldadura TIG de corriente baja o máquinas de soldadura de tipo inversión.

Posición 5

Para soldadura TIG donde parte del arco se oscurece desde la vista.

Posición

Seguro: estado oscuro – La función de cambio está deshabilitada, permanece en la sombra oscura seleccionada.



Seguro: estado de luz

Esta programación está diseñada para lijar o para otras actividades no relacionadas con soldadura. Cuando el ADF está asegurado en el estado de luz (sombra 3) el LED debajo del símbolo centellará cada 8 segundos para alertar al usuario. Debe cambiar el ADF a una programación SENS adecuada antes del arco de soldadura o permanecerá en el modo de seguro: estado de luz. Cuando el ADF se apaga (después de 1 hora de inactividad), automáticamente regresará a la programación de sensibilidad 2 establecida desde fábrica.

Posición 1-5

Si el filtro no se oscurece durante el proceso de soldadura, incremente la sensibilidad hasta que el ADF se oscurezca con confiabilidad. Si la sensibilidad se establece muy alto, es probable que el filtro permanezca en el estado oscuro después de haber terminado la soldadura debido a la luz ambiental. En este caso, ajuste la sensibilidad hacia abajo a una programación donde el ADF se oscurezca y aclare de manera adecuada.

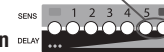


Seguro: estado oscuro

Esta programación asegura el ADF en la sombra oscura seleccionada. Cuando el ADF se apaga (después de 1 hora de inactividad), automáticamente regresará a la programación de sensibilidad 2 establecida desde fábrica.

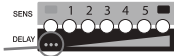
Retraso

La función de retraso permite al usuario incrementar o disminuir de manera manual el tiempo de retraso de recuperación (desde oscuro hasta claro), de acuerdo con los requerimientos del proceso de soldadura. Los intervalos del tiempo de recuperación también se extienden de forma automática conforme incrementa la sombra. Los intervalos de tiempo están listados en milisegundos en la Tabla 3. Aunque las funciones de Retraso y Sensibilidad comparten la misma pantalla LED, se encuentran en ajustes separados.



Paso 2-Recuperación

Las dos programaciones de retraso más largas incluyen una etapa intermedia en la recuperación. Conforme el arco se extingue, el filtro se recuperará brevemente hasta la sombra 5 y luego a la 3. Estos intervalos de tiempo para cada etapa están listados como d1 y d2 en la Tabla 3.



Modo de soldadura por puntos

Es posible que esta programación reduzca la fatiga del ojo como resultado del ajuste frecuente del ojo a diferentes niveles de luz durante el proceso de soldadura por puntos. Conforme el arco se extingue, el filtro se recuperará a la sombra 5. Si se activa otro arco en un lapso no mayor a 2 segundos el filtro regresará al estado de luz normal (sombra 3).

Indicador de batería baja

Debe reemplazar las baterías cuando el indicador de batería baja centellee o los LEDs no centellen cuando se presionan los botones.

Operación	Pulgadas de diámetro de electrodo	Amperios actuales de arco	Sombra protectora mínima	Número de sombra sugerido
Arco metálico protegido	< 3	< 60	7	---
	3-5	60-160	8	10
	5-8	160-250	10	12
	> 8	250-550	11	14
Soldadura con arco metálico	< 60	< 60	7	---
	60-160	60-160	10	11
	160-250	160-250	10	12
	250-500	250-500	10	14
Arco de tungsteno en gas inerte	< 50	< 50	8	10
	50-150	50-150	8	12
	150-500	150-500	10	14
Corte con arco con electrodo de carbón	< 500	< 500	10	12
Soldadura con plasma de arco eléctrico	500-1000	500-1000	11	14
	< 20	< 20	6	6-8
	20-100	20-100	8	10
	100-400	100-400	10	12
Corte con plasma de arco eléctrico	400-800	400-800	11	14
	< 300	< 300	8	9
	300-400	300-400	9	12
Soldadura con electrodos de carbono	400-800	400-800	10	14
				14

INTERVALOS DE RETRASO DE RECUPERACIÓN (ms)

Retraso Sombra	...				d1		d2	Σ	d1	d2	Σ
	5	40	40	60	90	130			200		
8	40	40	60	100	150			250			400
9	40	40	60	100	150	200	300	500	375	625	1000
10	40	40	70	150	200	300	300	600	425	625	1050
11	50	50	80	200	300	375	325	700	475	625	1100
12	50	50	90	250	400	475	325	800	575	625	1200
13	60	60	100	300	450	525	325	850	675	625	1300

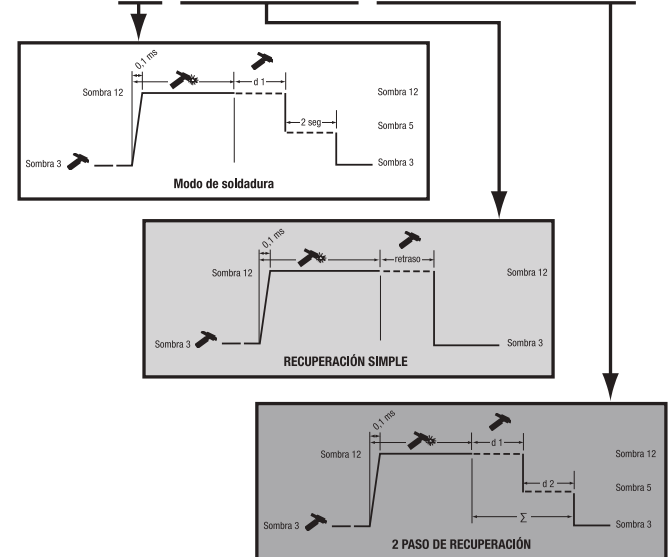
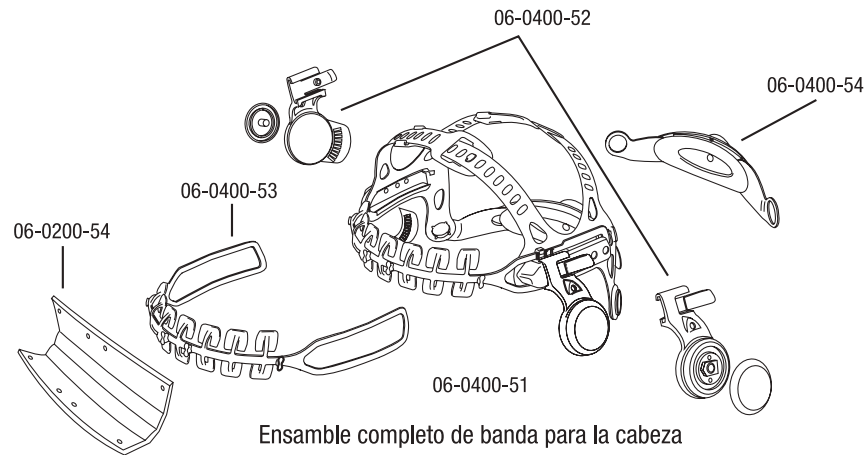
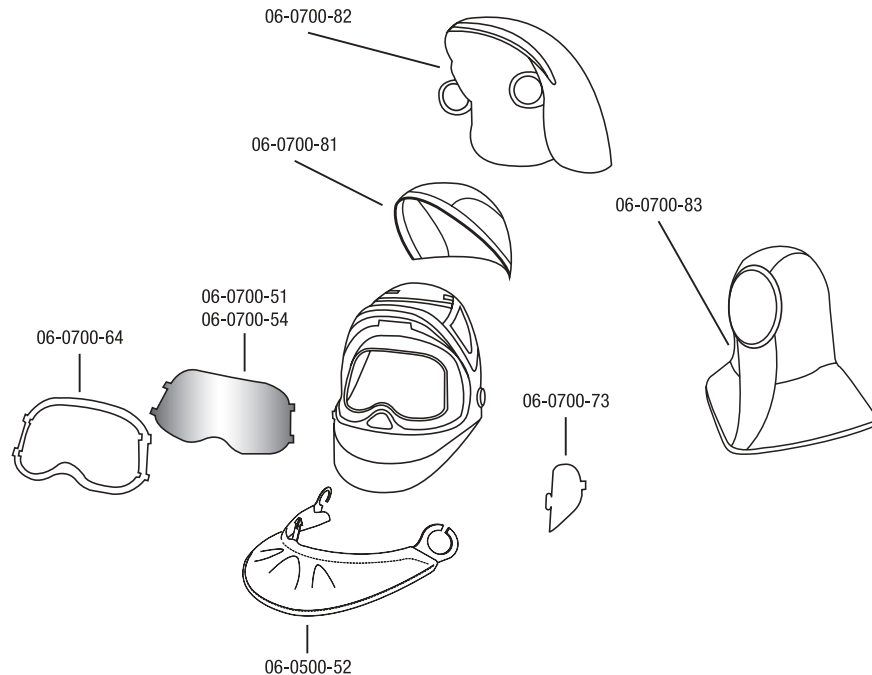
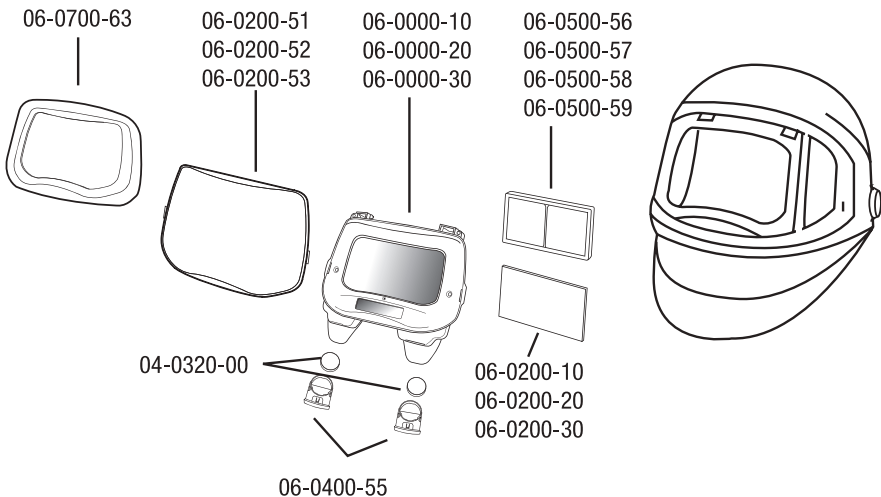


Tabla 3

COMPONENTES DEL SISTEMA Y PARTES DE REPUESTO DEL SISTEMA 3M™ SPEEDGLAS™



Ensamble completo de banda para la cabeza



Ensamblajes completos de Careta 3M™ Speedglas™

06-0600-10SW	Careta para soldadura 9100 FX ventanas laterales con ADF 9100V
06-0600-20SW	Careta para soldadura 9100 FX ventanas laterales con ADF 9100X
06-0600-30SW	Careta para soldadura 9100 FX ventanas laterales con ADF 9100XX

Partes de repuesto y accesorios 3M™ Speedglas™

04-0320-00	Baterías (CR-2032)
06-0000-10	ADF 9100V
06-0000-20	ADF 9100X
06-0000-30	ADF 9100XX

06-0200-10	Mica protectora interior 9100V (paquete c/5)
06-0200-20	Mica protectora interior 9100X (paquete c/5)
06-0200-30	Mica protectora interior 9100XX (paquete c/5)
06-0201-10	Kit Starter 9100V (5 micas protectoras exteriores y 2 interiores, 1 banda para el sudor)
06-0201-20	Kit Starter 9100X (5 micas protectoras exteriores y 2 interiores, 1 banda para el sudor)
06-0201-30	Kit Starter 9100XX (5 micas protectoras exteriores y 2 interiores, 1 banda para el sudor)
06-0200-51	Mica protectora exterior 9100, estándar
06-0200-52	Mica protectora exterior resistente a rayones 9100
06-0200-53	Mica protectora exterior 9100, alta temperatura
06-0200-54	Banda para el sudor 9100
06-0400-51	Ensamble completo de banda para la cabeza 9100 (careta)
06-0400-52	Mecanismo de pivote 9100 (izquierdo y derecho)
06-0400-53	Banda para la cabeza 9100 parte frontal
06-0400-54	Banda para la cabeza 9100 parte posterior (ajustador de matraca)
06-0400-55	Soporte de batería 9100
06-0500-51	Protector para la cabeza 9100, Tecaweld
06-0500-52	Protector de oreja y cuello 9100, Tecaweld
06-0500-54	Gorra para soldadura (sin visor)
06-0500-55	Gorra para soldadura con visor
06-0500-56	Lupa 1.5X
06-0500-57	Lupa 2.0X
06-0500-58	Lupa 2.5X
06-0500-59	Lupa 3.0X
06-0500-60	Bolsa para ropa
06-0500-61	Calcomanía para caja de herramientas
06-0700-51	Visor transparente para lijado de visión amplia, estándar
06-0700-54	Visor transparente para lijado de visión amplia, anti-empañamiento
06-0700-63	Panel frontal cromo, 9100 FX
06-0700-64	Marco de visor transparente para soldadura de visión amplia, 9100 FX
06-0700-73	Cubiertas para ventana lateral, 9100 FX
06-0700-81	Cubierta estándar para la cabeza, 9100 FX
06-0700-82	Cubierta extendida para la cabeza (cuello y cabeza), 9100 FX
06-0700-83	Cupucha complete, negra

INSPECCIÓN Y MANTENIMIENTO DEL SISTEMA

ADVERTENCIA

Nunca modifique ni altere esta careta para soldadura. Sólo repare o reemplace las partes con componentes 3M aprobados. El uso de componentes distintos a los suministrados por 3M puede afectar el funcionamiento de la careta para soldadura y **ocasionar enfermedad o incluso la muerte.**

Esta careta no se debe pintar ni limpiar con solventes. Cualquier calcomanía aplicada a la careta debe ser compatible con el material de la superficie y no afectar las características de los materiales utilizados en la careta. Es probable que las calcomanías afecten las características de inflamabilidad de esta careta.

Antes de cada uso, revise cuidadosamente el Lenta para soldadura 3M™ Speedglas™ 9100. Las lentes o las micas protectoras agrietadas, pinchadas o rayadas pueden comprometer la protección y reducir la visión. Debe de reemplazar de inmediato todos los componentes dañados. Retire la película protectora del visor.

Debe reemplazar cualquier careta sujeta a impacto severo.

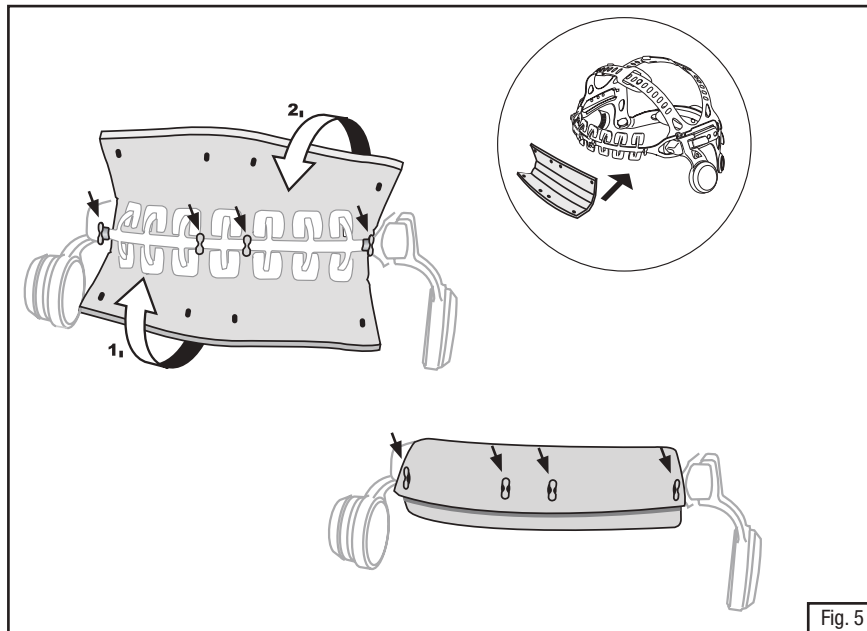
Revise que la careta para soldadura no esté desgastada o tenga partes dañadas. Reemplace cualquier parte desgastada o dañada con los componentes incluidos en la lista de partes de repuesto y accesorios contenida en estas *Instrucciones*.

Para revisar la operación adecuada del ADF, sosténgalo a unas cuantas pulgadas de un bulbo de luz fluorescente y observe si cambia al estado de sombra seleccionado. Según la fuente de luz, tal vez sea necesario incrementar de manera temporal la programación de sensibilidad. Opcionalmente, el ADF puede activarse al apuntar cualquier dispositivo electrónico de control remoto, como una televisión, hacia los sensores ADF y presionar el botón de encendido (ON).

Nota: Si el ADF no funciona como se describió con anterioridad, no lo use y contacte de inmediato a su supervisor o representante 3M.

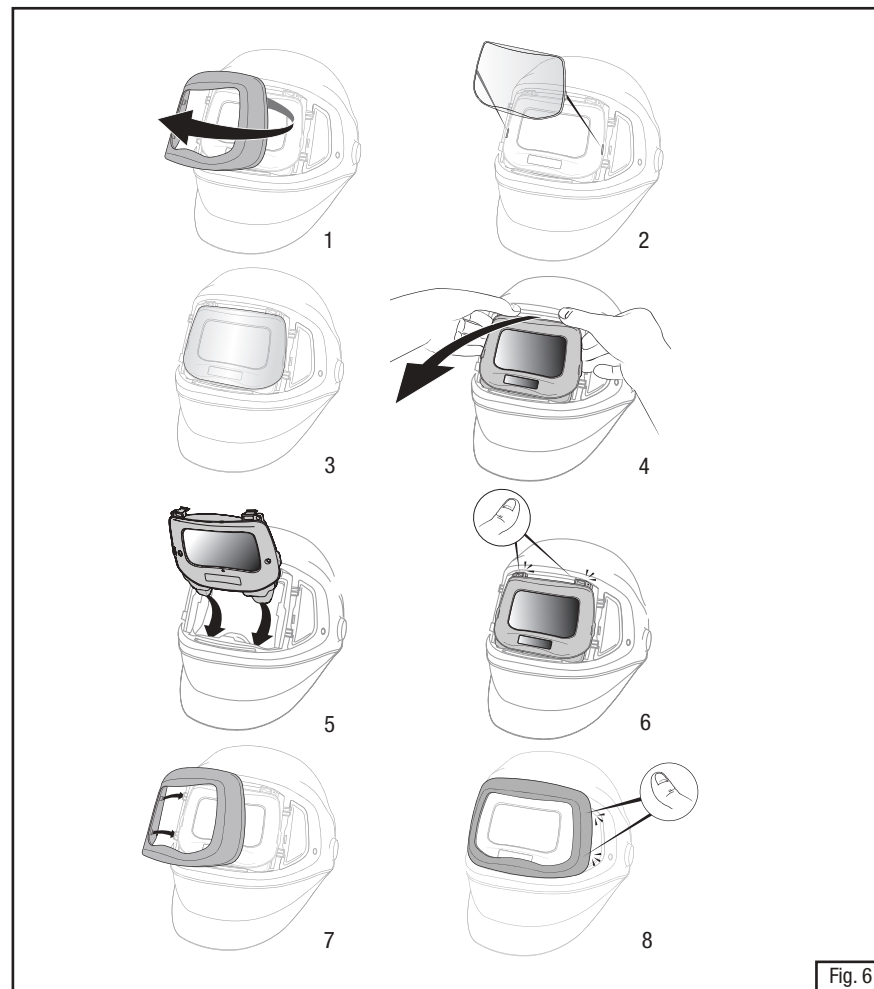
Repuesto de banda para el sudor

Ver la Fig. 5.



Remoción y repuesto de arco plateado, mica protectora exterior y ADF

Ver la Fig. 6.



Repuesto de mica protectora interior y baterías e instalación de lupa

Ver las Figs. 7 hasta la 9.

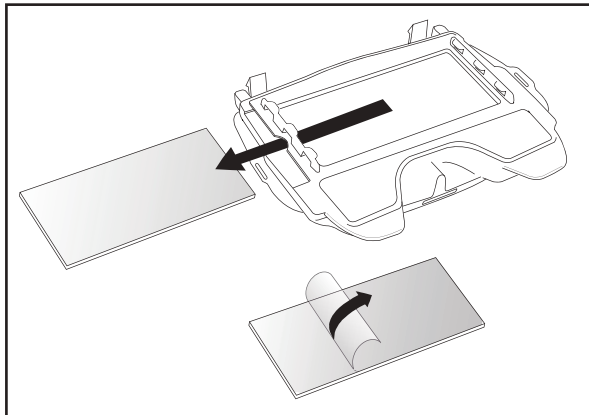


Fig. 7 Mica protectora interior

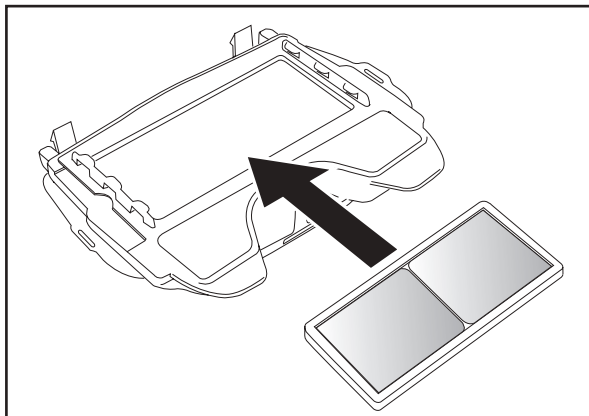


Fig. 8 Lupa

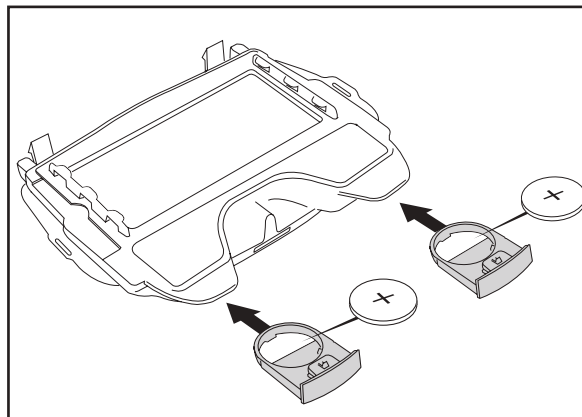


Fig. 9 Batería

Instalación de cubiertas para ventana lateral

Ver la Fig. 10.

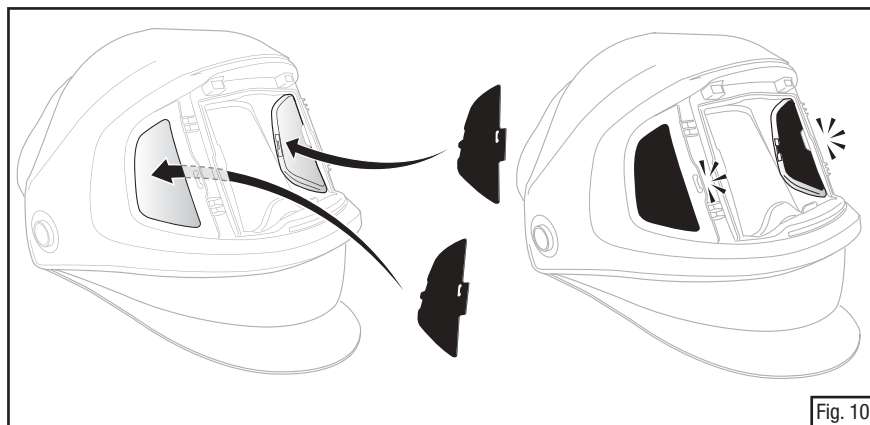
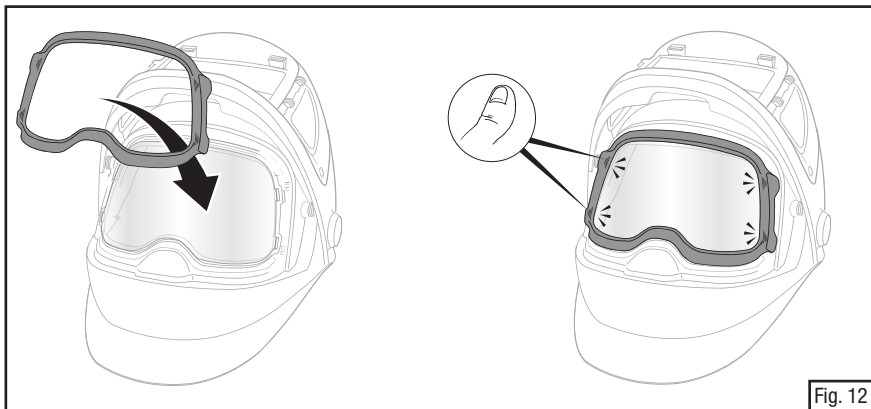
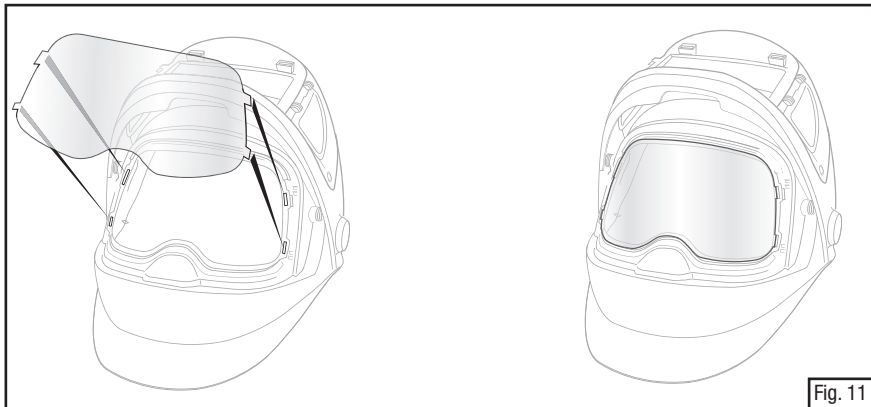


Fig. 10

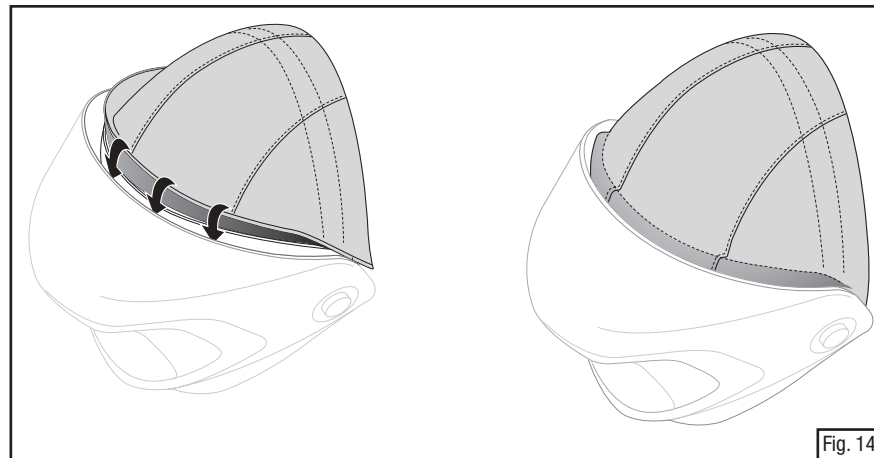
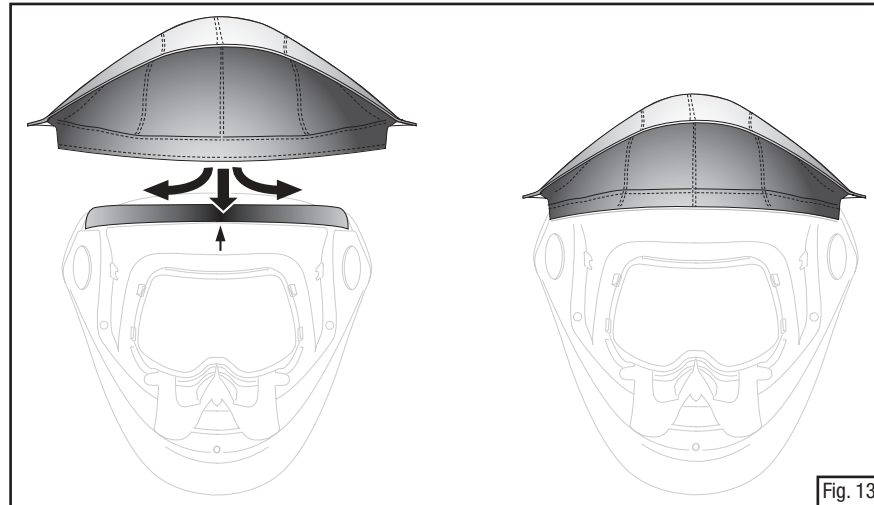
Repuesto de visor transparente para soldadura

Quite el marco del visor de lijado negro al levantar con cuidado las 4 lengüetas. Quite y reemplace el visor transparente para lijado y reemplace el marco (Figs. 11 & 12).



Instalación de cobertura extendida superior

Alinee los sujetadores de gancho y entrelazado como se muestra (Figs. 13 & 14). Si la cobertura extendida es la versión grande, fije los sujetadores de entrelazado entre el interior del armazón y la ubicación del mecanismo pivote de la careta.



LIMPIEZA Y ALMACENAMIENTO

ADVERTENCIA

Esta careta no se debe pintar ni limpiar con solventes. Cualquier calcomanía aplicada a la careta debe ser compatible con el material de la superficie y no afectar las características de los materiales utilizados en la careta.

Limpie la careta para soldadura con jabón neutro y agua tibia. No use solventes. Limpie el ADF con un paño limpio y libre de pelusa. No sumerja el ADF en agua o lo rocíe directamente con líquidos. Almacene el equipo en un área limpia, seca y sin polvo a temperatura ambiente.

ELIMINACIÓN

Deseche el equipo que ha alcanzado el total de su vida útil de acuerdo con las regulaciones locales.

LIMITACIÓN DE RESPONSABILIDADES

3M no otorga garantías, explícitas o implícitas, de comercialización o de uso para un propósito particular de este producto. Es responsabilidad del usuario decidir sobre su uso y/o aplicación, por lo que 3M no será responsable de los posibles daños y perjuicios derivados del uso del producto, independientemente que sean directos, indirectos, especiales, consecuenciales, contractuales, o de cualquier otra naturaleza.

La única y exclusiva responsabilidad de 3M, en caso de que el producto resulte defectuoso, será la del reemplazo del producto o devolución del precio de compra.

PARA OBTENER MÁS INFORMACIÓN

En Estados Unidos:

Internet: www.3M.com/occsafety



O llame a 3M en su localidad.