

# Wireless Remote Foot Control



## Quick Specs



### Industrial Applications

Manufacturing  
Fabrication  
Plant maintenance

### Processes

TIG (GTAW)  
Pulsed TIG (GTAW-P)

### Operating Range

90 ft. (27.4 m)

**Communication** 2.4 Ghz radio frequency (ISM band)

**Input Power** **Transmitter:** (4) AA batteries  
**Receiver:** Miller 14-pin receptacle

**Weight** 3 lb. (1.4 kg)

**Improves productivity and maneuverability** by eliminating cord tangles. Reduces clean up time and work area cord clutter.

**Improves safety** by eliminating control cord and reducing potential trip hazard.

**Improves reliability** by eliminating control cord failure.

**Multiple frequency sharing** allows up to 20 systems to operate in a 90-foot (27.4 m) radius with accuracy and precision — and without delay, system interference, or crosstalk.

**Easy-to-install receiver** plugs directly into the 14-pin receptacle of Miller machines. See chart on page 2.



### Comes complete with:

- Wireless foot control transmitter
- Wireless 14-pin receiver
- Four AA batteries
- Four Easy-Glide Wear Pads™
- Owner's manual

**Easily programmable.** Control can be quickly paired with Miller 14-pin wireless receiver. (Control is preprogrammed when purchased with the receiver, and is not compatible with previous versions of the wireless receiver.)

**Easy-Glide Wear Pads™** glide across concrete, making it easy to reposition the pedal for comfort and speed.



Warrantied for one year, parts and labor.



**Miller Electric Mfg. LLC**  
An ITW Welding Company  
1635 West Spencer Street  
P.O. Box 1079  
Appleton, WI 54912-1079 USA

**Equipment Sales US and Canada**  
Phone: 866-931-9730  
FAX: 800-637-2315  
International Phone: 920-735-4554  
International FAX: 920-735-4125

**MillerWelds.com**  
f t y o i n

## Specifications (Subject to change without notice.)

Component	Power Supply	Battery Life	Rated Range*	Temperature	Radio Frequency	RF Power	Antenna	Dimensions	Weight
Foot control (transmitter)	Four AA batteries	1,500 hours	90 ft. (27.4 m)	-13° to +122° F (-25° to +50° C)	2.4 Ghz (ISM band)	<6.31 mW	Internal	H: 6 in. (152 mm) W: 5.75 in. (146 mm) D: 11.5 in. (293 mm)	3 lb. (1.4 kg) w/batteries
14-pin receiver	10–35 V AC or DC	N/A						L: 3.1 in. (80 mm) Dia: 1.8 in. (46 mm)	0.16 lb. (0.07 kg)

\*Some applications are not suitable for wireless communication. Keep in mind that the rated range is subjective, and depends on factors such as obstructions, frequency interference, transmission technology, and weather. The figures listed assume ideal conditions are present.

FCC ID: QOQBGM13P (foot control) and QOQBGM13P (receiver) Canada IC: 5123A-BGM13P (foot control and 5123A-BGM13P (receiver)

## Recommended Machines

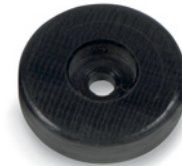
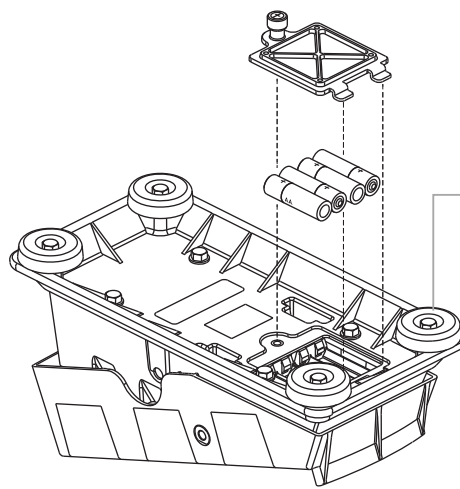
The Wireless Remote Foot Control is recommended for use with the following Miller power sources:

- Dynasty® 210 and 210 DX
- Dynasty® 280, 280 DX and 280 DX Multiprocess
- Dynasty® 400
- Dynasty® 800
- Maxstar® 161 STL and 161 STH\*
- Maxstar® 210 and 210 DX
- Maxstar® 280, 280 Multiprocess and 280 DX
- Maxstar® 400
- Maxstar® 800
- Syncrowave® 300
- Syncrowave® 400
- Trailblazer® 325 and 325 Diesel

\*14-pin to 6-pin adapter cord required. See Ordering Information below.

Note: If your machine is not listed, visit [MillerWelds.com/wireless](http://MillerWelds.com/wireless) to check compatibility.

## Genuine Miller® Parts



**Easy-Glide Wear Pad™ 248274**  
Replacement pads are sold individually.

## Ordering Information

Equipment	Stock No.	Description	Qty.	Price
Wireless Foot Control and 14-Pin Receiver	301580	System		
Wireless Foot Control	301581	Sold individually		
Wireless 14-Pin Receiver	301584	Sold individually		
<b>Parts</b>				
Easy-Glide Wear Pad™	248274	Replacement pad sold individually.		
14-Pin to 6-Pin Adapter Cord	300507	1 ft. (0.3 m) cord with 6-pin male and 14-pin female. For use with Maxstar® 161 STL, 161 STH and Multimatic® 200		

Date: \_\_\_\_\_ Total Quoted Price: \_\_\_\_\_

Distributed by:

