

METAL MAN[®]

WORK GEAR

CART 32

Item# 25369

OPERATOR'S MANUAL



Read carefully and understand RULES FOR SAFE OPERATION and instructions before operating. Failure to follow the safety rules and other basic safety precautions may result in serious personal injury.

Please read and save these instructions. Read through this owner's manual carefully before using product. Protect yourself and others by observing all safety information, warnings, and cautions. Failure to comply with instructions could result in personal injury and/or damage to product or property. Please retain instructions for future reference.

PORTABLE MIG CART

Description

The CART-32 PORTABLE MIG CART is designed to hold all portable MIG welders; it can also be used for stick welders and plasma cutters, accessories, consumables and gas cylinder. Rear wheels and casters make it easy to move around. Slanted Top shelf makes the weld controls accessible. Holds up to 7 ½" diameter, 80 lb cylinder. Swings up handle for easily move



Specifications

Item	Specification
Packing Dimension (LXWXH) inch	31.5 X 17.3 X 3.5
Product Dimension (LXWXH) inch	32.3 X 18.3 X 29.7
Packing weight	32lbs
Net weight	27lbs
Capacity, lbs	110lbs

Removing from carton

- 1.1 .Remove cart pieces from carton, bags or Styrofoam.
- 1.2. Check the contents with parts list on page 3.

Assembly

- See parts list for descriptions, pages 3.
- 1.1 .Assemble bottom shelf to frame using four self tapping screws.
 - 1.2. Insert gas cylinder support into bottom shelf.
 - 1.3 Assemble top shelf to frame with four shelf tapping screws
 - 1.4 Assemble top shelf to gas cylinder support with bolts, lock washer and nuts.
 - 1.5 Put axle through holes in frame and assemble wheels, washers and cotter pins.
 - 1.6 Assemble front casters using flat washers, lock washers and hex nut.
 - 1.7 Insert chain into slots in the gas cylinder support. When cylinder is installed tighten chain snug around the cylinder
 - 1.8 Assemble the connector (No.27 in the part list) to the right and left pull rod by cylindrical pin, washer, pin.

PORTABLE MIG CART

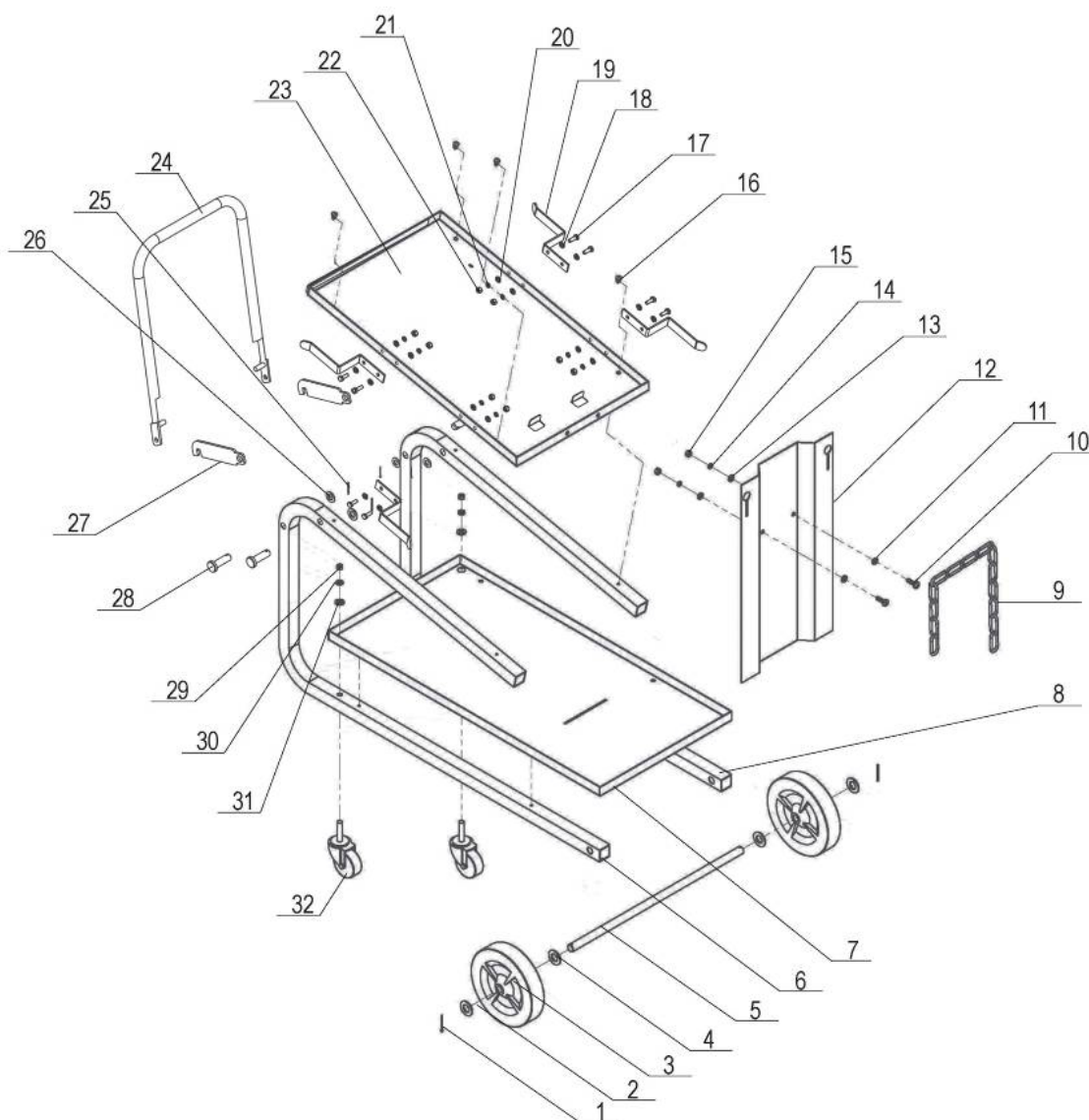
- 1.9 Assemble the handle (No.24 in the part list) to the right and left pull rod by cylindrical pin, washer, pin.
- 2.0 When using the handle, please hang the connector to the two cylindrical head nails, see the following pic,



- 2.1 When not using the handle, swing up the handle, and take down the connector. See the following pic



PORTABLE MIG CART



Spare Parts List

Reference number	Description	Part number	Qty
1	pin	2.06.21.001	2
2	spring	2.06.17.007	2
3	wheel	2.05.07.107	2
4	washer	2.06.17.007	2
5	axle	1.1.03.01.0073	1
6	pull rod	2.01.29.988	1

PORTABLE MIG CART

7	bottom panel	1.1.01.04.0120	1
8	pull rod	2.01.29.988	1
9	chain	2.01.29.006	0.8
10	bolt	2.06.08.039	2
11	washer	2.06.17.004	2
12	Panel for cylinder	1.1.01.05.0100	1
13	washer	2.06.17.004	2
14	spring	2.06.18.004	2
15	nut	2.06.14.004	2
16	bolt	2.06.03.006	4
17	screw bolt	2.06.01.044	8
18	washer	2.06.17.004	2
19	hanger	1.1.02.01.1946	4
20	washer	2.06.17.004	16
21	spring	2.06.18.004	8
22	nut	2.06.14.004	8
23	Top panel	1.1.01.05.2462	1
24	handle	1.1.01.05.2465	1
25	pin	2.06.21.001	1
26	spring	2.06.17.007	4
27	connector	1.1.01.05.2464	2
28	cylindrical pin	1.1.01.05.2466	4
29	nut	2.06.14.005	2
30	spring	2.06.18.005	2
31	washer	2.06.17.005	2
32	caster	2.05.07.106	2